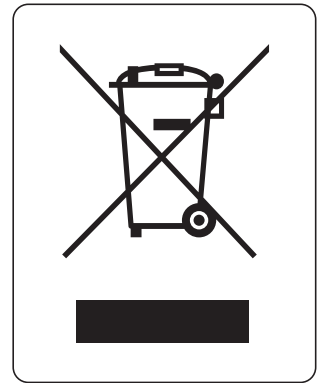


## WEEE Statement

The WEEE (Waste of Electrical and Electronic Equipment) directive places an obligation on all EU based manufacturers and importers of Electrical and Electronic Equipment to take back products at the end of their useful life. SAS Dartslive Europe accepts its responsibility to finance the cost of treatment and recovery of redundant WEEE in France in accordance with the specified WEEE recycling requirements.

The following symbol will be on all products manufactured from 13th August 2005, which indicates this product must NOT be disposed of with other normal waste. Instead, it is the user's responsibility to dispose of their waste equipment by arranging to return it to a designated FR collection point for the correct recycling of waste electrical and electronic equipment.

For more information about where you can send your waste equipment for recycling contact your local authority office.



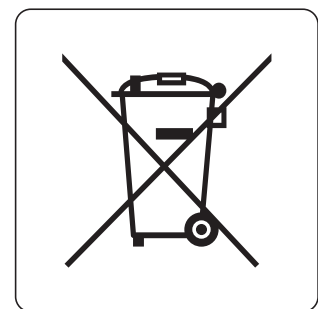
## Battery Recycling Statement

The EC Directive on Batteries and Accumulators (2006/66/EC) aims to minimize the impact of batteries on the environment and encourage the recovery of the materials they contain. To achieve increased collection and recycling of waste batteries, the Directive places 'producer responsibility' obligations on manufacturers and importers of portable, industrial and automotive batteries.

**The following symbol will be on all equipment fitted with batteries from 26th**

September 2008 and indicates they must NOT be disposed of with other normal waste. Instead, it is the user's responsibility to dispose of used batteries by arranging to return them to a designated collection point for the correct recycling of waste batteries.

For more information about where you can send your waste batteries for recycling contact your local authority office.



## **BEFORE USING THE PRODUCT, BE SURE TO READ THE FOLLOWING:**

- **The instructions concerning persons (including children) with reduced physical, sensory or mental capabilities, or lack of experience and knowledge and children playing with the appliance are not applicable.**
- **Perform work in accordance with the instructions herein stated.**  
Instructions for work are explained by paying attention to the aspect of accident prevention. Failing to perform work as per the instructions can cause accidents. In the case where only those who have technical expertise should perform the work to avoid hazardous situation, the instructions herein state that the technical personnel should perform such work.
- **Always turn off the power before working on the machine.**  
Be sure to turn off the power and unplug the power cable before carrying out any work that requires direct contact with the interior of the product. If the work is to be performed in the power-on status, this manual always states so.
- **Be sure to ground the earth terminal.**  
This product is equipped with the earth terminal. When installing the product, make sure that the earth wire is grounded, and connect the terminal to the wire. Unless the product is grounded appropriately, people can be subject to an electric shock. After performing repair, etc. for the control equipment, ensure that the earth wire is firmly connected to the control equipment.
- **Ensure that the power supply used is equipped with an earth leakage breaker.**  
Using a power supply which is not equipped with the earth leakage breaker can cause a fire when earth leakage occurs.
- **Specification changes not designated by DARTSLIVE are not allowed.**  
The parts of the product include warning labels for safety, covers for personal protection, etc. It is very hazardous to operate the product by removing parts and/or modifying the circuits. Doing so may cause fire or electric shock. Should doors, lids and protective parts be damaged or lost, refrain from operating the product, and contact your product retailer.  
DARTSLIVE shall not be held responsible for any accidents or compensation for damage to a third party, resulting from the specifications not designated by DARTSLIVE.
- **Be sure to check for electrical specifications.**  
Ensure that the product is compatible with the power supply voltage and frequency requirements of the location.  
The product has a nameplate on which electrical specifications are described.  
Using any electrical specifications different from the designated specifications can cause a fire and an electric shock.
- **Install and operate the product in places where appropriate lighting is available, allowing warning labels to be clearly read.**  
To ensure safety for the customers, labels and printed instructions describing potentially hazardous situations are applied to places where accidents can be caused. Ensure that where the product is operated has sufficient lighting allowing the warnings to be read. If any label is peeled off, apply it again immediately.  
Please place an order with your product retailer.



- **Be sure to adjust the monitor properly.**  
Do not operate the product leaving on-screen flickering or blurring as it is. Using the product with the monitor not properly adjusted may cause dizziness or a headache to the players and the people around them.
  - The appliance is not suitable for installation in an area where a water jet could be used.
  - The appliance must not be cleaned by a water jet.
  - **When transporting or reselling this product, be sure to attach this manual to the product.**
- Even in the case where commercially available monitors and printers are used in this product, only the contents relating to this product are explained herein. Some commercially available equipment have functions and reactions not stated in this manual. Read this manual together with the specific instruction manual of such equipment.
  - Descriptions herein contained may be subject to improvement changes without notice.
  - The contents described herein are fully prepared with due care. However, should any question arise or errors be found, please contact your product retailer.

<b>INSPECTIONS IMMEDIATELY AFTER TRANSPORTING THE PRODUCT TO THE LOCATION</b>
---

Normally, at the time of shipment, DARTSLIVE products are in a status allowing for usage immediately after transporting to the location. Nevertheless, an irregular situation may occur during transportation. Before turning on the power, check the following points to ensure that the product has been transported in a satisfactory status.

- Are there any dented portions or defects (cuts, etc.) on the package or external surfaces of the cabinet?
- Are casters and adjusters damaged?
- Are the power supply voltage and frequency compatible with the power supply specifications of the installation location?
- Are all wiring connectors properly and securely connected?  
(The connectors will not fit unless they are in the correct orientation. Do not push them forcibly.)
- Does power cable have any cuts or dents on it?
- Are all accessories available?

# WARRANTY

The warranty period of this product is six months from our shipping date.

When a fault occurs within the warranty period under normal use condition following the attached instruction manual or other instructions, we will ship the substitute for the subject parts at no charge. When you encountered a fault on the product, turn off the power switch, disconnect the power cable at the power supply, and contact your product retailer.

Please note that the following faults are excluded from the warranty. (Repair may be possible, but it will be charged.)

- ( 1 ) Faults due to force majeure such as earthquake, flood, tsunami, or volcanic eruption.
- ( 2 ) Faults due to improper handling of the equipment, such as damage from dropping them.
- ( 3 ) Faults due to incorrect operation of the equipment.
- ( 4 ) Faults due to way of using them not in compliance with the conditions for installation and usage specified in this manual.
- ( 5 ) Faults due to specification change (i.e., addition or modification of equipment) not specified by us.
- ( 6 ) Faults due to user's actions either on intention or by mistake.
- ( 7 ) Faults due to failing to exercise required periodic inspection.
- ( 8 ) Faults caused by equipment other than this product.  
Malfunction such as flickering screen, due to radio waves, magnetic interference, or other factors generated from other equipment.
- ( 9 ) Faults due to deterioration of parts considered as expendables.
  - a) Fluorescent lamps and other lamps.
  - b) Switches and buttons.
  - c) Levers and joysticks.
  - d) Fuses.
  - e) Promotional materials, POP signage, and advertisement flags.
  - f) Stickers.
  - g) Sensor cover and sensor cover cylinder.
  - h) Items accompanying the target such as segments, spiders, and LEDs.
  - i) Items specifically designated in this manual as consumables.
- (10) Network failure due to causes not relating to the product.
  - a) Network environment at the shop (LAN cable , switching hub, etc.).
  - b) Internet connection, Internet service providers, and other Internet environment.
  - c) Server failure, etc.

We will not bear responsibility for any loss of profits or other indirect damages caused by unavailability of this product.

We do not guarantee the data that may be lost due to parts replacement during repair.

## Copyright of software

The copyright of the software included in this product belongs to DARTSLIVE. Co., Ltd. or the copyright holder of each software. Any act that infringes the copyright holder's rights, such as modification, decompilation, and reverse engineering, without the consent of the copyright holder is prohibited.

This product uses Windows 10 IoT Enterprise. In using this software, you must comply with the license agreement provided by Microsoft. For detail, please visit Microsoft's web site and confirm "Microsoft Software License Terms".

## ABOUT THIS INSTRUCTION MANUAL

This manual provides and explains in detail all the information on overall operation from electronic assembly, electro mechanism, maintenance management, spare parts, and other matters related to this product, DARTSLIVE3.

This manual is intended for owners, administrators, and operators of this product. Read this manual carefully and fully understand the contents before using the product.




The information described in this manual are fully prepared with due care. Contact your product retailer if you cannot perform work as described in this manual or cannot achieve proper functions. Person other than technical personnel should never touch the system inside.

Contact your product retailer to repair the machine or to request purchase of the components (consumables). When you have lost this INSTRUCTION MANUAL, you can also place order to get it.






\* Descriptions herein contained may be subject to improvement changes without notice.

## Warning Signs


Make sure you fully understand the meaning of and notes on the warning signs indicated on this manual and the cabinet, and operate the product in proper and safe manner.

 <b>DANGER</b>	Explanations that require particular attentions are classified and specified as DANGER, WARNING, or CAUTION, depending on severity of the potential hazard.
 <b>WARNING</b>	Indicates that mishandling the product by disregarding this pictograph will cause severe injury or death.
 <b>CAUTION</b>	Indicates that mishandling the product by disregarding this warning will cause a potentially hazardous situation which can result in death or serious injury.

For the safe usage of the product, the following pictographs are used:

	Indicates "Electric Shock Hazard." It indicates the possibility of electric shock under certain conditions.
	Indicates "High Temperature Hazard." It indicates the possibility of injury from high temperature under certain conditions.
	Indicates "Hand Hazard." It indicates the possibility of injury caused by a finger or hand being caught in a door or the like.
	Indicates "Prohibition." It indicates what should not be done when handling the product.
	Indicates a "Protective Earth Terminal." Before operating the equipment, be sure to connect it to the ground.

In this manual, information that are important but not leading to personal injury or material damage are indicated with the following pictographs.

 <b>IMPORTANT</b>	It indicates important matters upon installation, operation, and maintenance and inspection of the product.
--	---

### **WARNING**

Procedures not described in this manual or marked as to be carried out by "Site Maintenance Personnel" or "Serviceman" should not be carried out by personnel without the necessary knowledge and skills. Work carried out by unqualified persons may cause serious accidents, including electrocution. For safety reason, if there is no one with knowledge or skill, ask your product retailer to carry out necessary operation.

Part replacement, maintenance and inspection, and handling of abnormalities should be performed by Site Maintenance Personnel or Serviceman. This manual instructs especially dangerous work to be performed by Serviceman with expert knowledge. Site Maintenance Personnel and Serviceman are defined in the manual as below.

#### **Site Maintenance Personnel**

Person who has experience of maintenance of amusement machines, vending machines, and other equipment. Under the management of the owner and operator of this product, the person engages in the maintenance of equipment through installation, maintenance and inspection, and replacing consumable parts on a daily basis in amusement facility or in the shop.

#### **Activities of Site Maintenance Personnel**

Installation, maintenance, and inspection of amusement machines and vending machines, as well as replacement of units and consumable parts thereof.

#### **Serviceman**

Person who engages in design, manufacture, inspection, and maintenance services of equipment at amusement machine manufacturers. Person with expertise in electricity, electronics and mechanical engineering equal to or higher than those of graduates from technical high schools, and engaging in maintenance and management as well as repair of amusement equipment on a daily basis.

#### **Activities of Serviceman**

Installation of amusement machines and vending machines; repair and adjustment of electric, electronic and mechanical parts.

# TABLE OF CONTENTS

<b>BEFORE USING THE PRODUCT, BE SURE TO READ THE FOLLOWING:</b>	i
<b>WARRANTY</b>	iii
<b>Copyright of software</b>	iv
<b>ABOUT THIS INSTRUCTION MANUAL</b>	v
Warning Signs	vi
Definition of Site Maintenance Personnel or Serviceman	vii
<b>TABLE OF CONTENTS</b>	viii
<b>1 Product Specification</b>	1
Specification and part description	1
<b>2 Handling Precautions</b>	3
<b>3 Precautions for Installation Location</b>	6
<b>4 Operation Precautions</b>	8
4 - 1 Precautions during Operation	8
4 - 2 Precautions during Commercial Operation (Attentions to Customers)	9
<b>5 Accessories</b>	10
<b>6 How to Install and Assemble the Unit</b>	12
6 - 1 How to Install the Unit	14
6 - 2 LED Brightness Adjustment	24
6 - 3 Adjusting Angle of Upper Monitor	24
6 - 4 Pasting Throw Line Stickers	25
<b>7 Precautions When Moving the Unit</b>	26
<b>8 Maintenance of Sections of the Unit</b>	28
8 - 1 Target	29
■ 8 - 1 - 1 Replacing Segment	29
■ 8 - 1 - 2 Removing Tips Stuck in Segment	32
■ 8 - 1 - 3 Mounting Target	33
8 - 2 Replacing Card Reader Sensor	36
8 - 3 Replacing Upper Monitor	38
8 - 4 Replacing Lower Touch Screen Monitor	40
8 - 5 Coin Selector	43
8 - 6 Adjusting Target Camera	44
8 - 7 Adjusting Player Camera	45
8 - 8 Replacing Sensor Cover and Sensor Cover Cylinder	46
8 - 9 Replacing Target Sensor	48



1

8 - 10 Replacing Speed Sensor ..... 50

8 - 11 Replacing Number LED Board ..... 51

8 - 12 Replacing Outer Board Segment ..... 52

8 - 13 PC Unit ..... 53

    ■ 8 - 13 - 1 Description of PC Unit ..... 53

    ■ 8 - 13 - 2 Replacing PC Unit ..... 53

2

3

**9 Periodic Inspection** ..... 55

**10 Troubleshooting** ..... 56

**11 Parts List** ..... 59

**12 Wire Color Correspondence Table** ..... 94

**13 Comprehensive Wiring Diagram** ..... 95

4

5

6

7

8

9

10

11

12

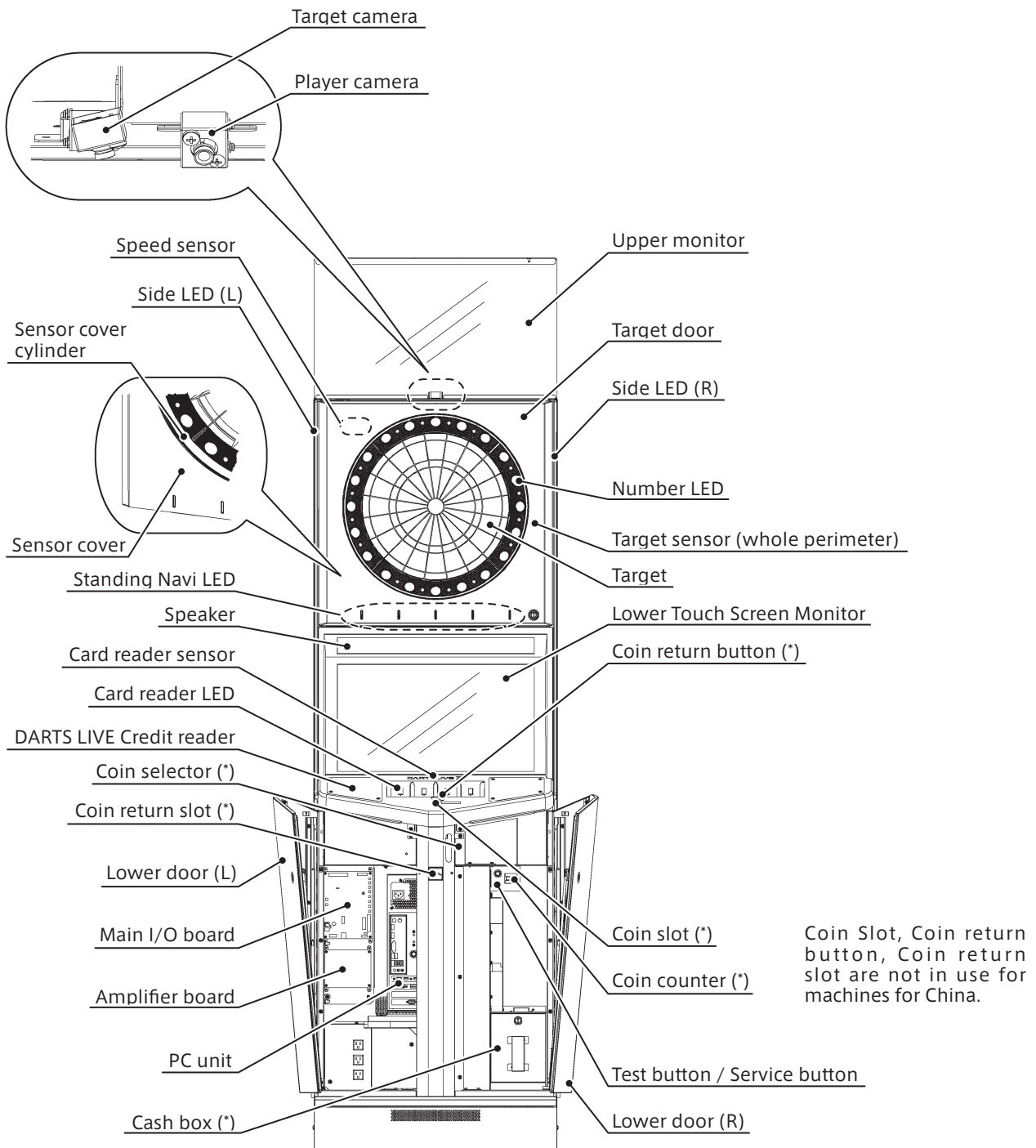
13

# 1 Product Specification

## Specification and part description

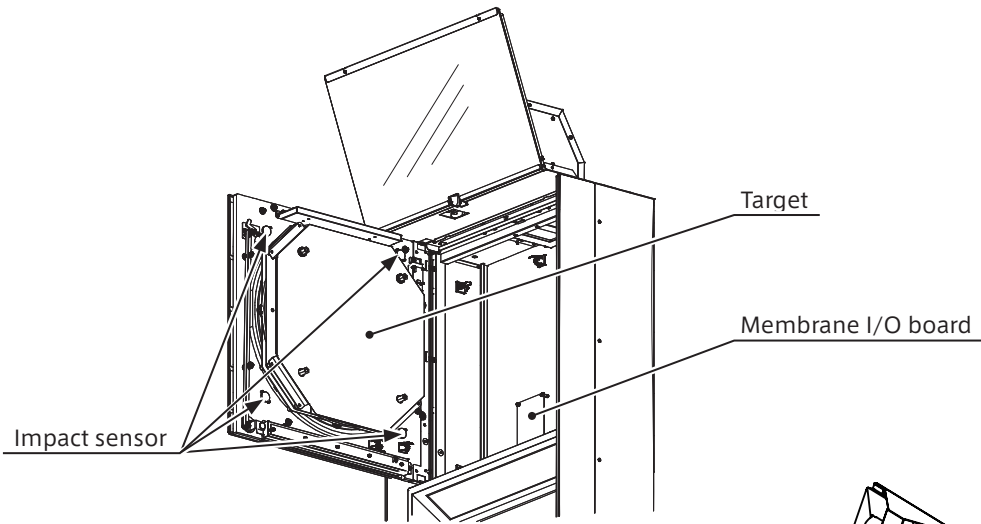
### ■ Specification

Required area	650 mm (width) x 600 mm (depth)
Height	2,310 - 2,395 mm
Weight	157 kg
Power consumption, maximum current	188W, 2.3A (AC 100-240V, 50-60Hz)

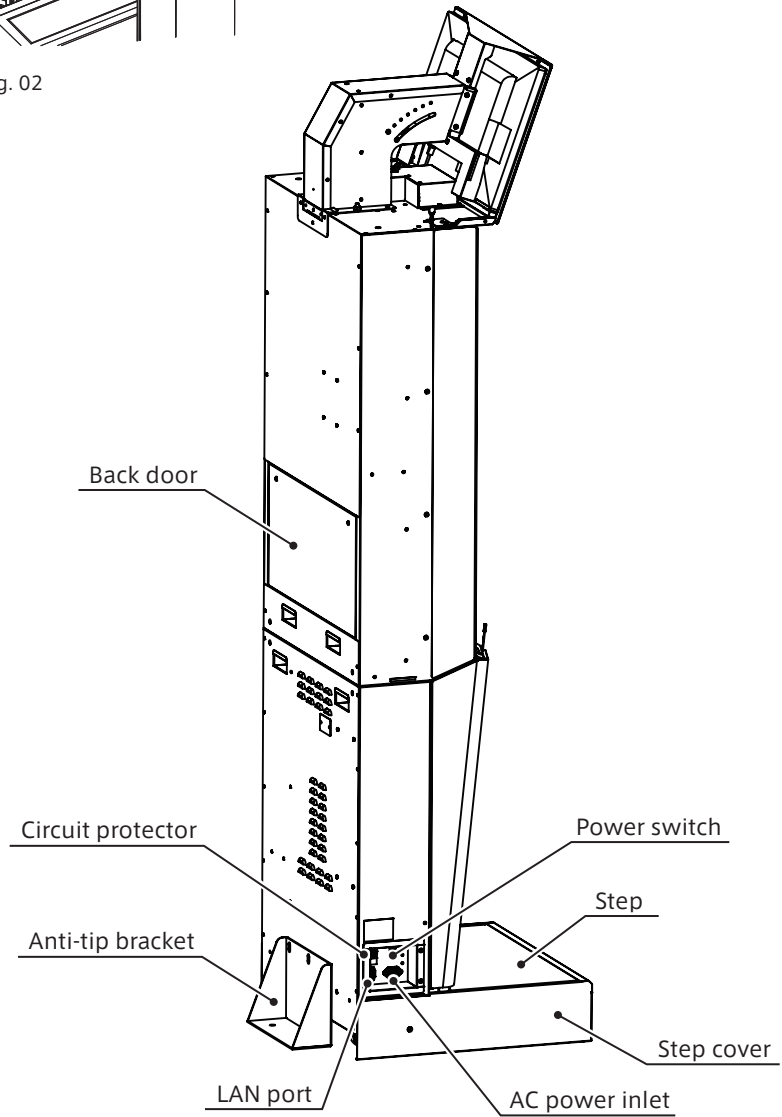


There are some units with specification without the parts marked with "\*", such as those for China.

1 Fig. 01



1 Fig. 02



1 Fig. 03

■ Main dimensions and weight of the unit before installation

Description	Width (mm)	Depth (mm)	Height (mm)	Weight (kg)
27 inch upper monitor (including stand)	650	483	377	11
Upper cabinet	650	297	1,162	57
Lower cabinet (including step cover)	650	596	1,006	86
Anti-tip bracket	306	100	200	3
Completed unit	650	700	2,390	157

## 2 Handling Precautions

When installing and inspecting this product, pay careful attention and note the following points so that people can enjoy the game safely. Improper handling that is contrary to the following and the precautions described in this manual may cause personal injury and damage to the machine.

### WARNING

- Perform the work and check as instructed in this manual. Failure to follow the instructions may result in electric shock and other accidents or critical failure. In addition, customers may be injured during its operation.
- Be sure to turn off the power before the work. Failure to do so may cause electric shock, short circuit, or fire. If the work is to be done with power on, it is instructed as such in this manual.
- Do not connect or disconnect the power plug in hurry. Doing so may cause electric shock or failure.
- Do not connect or disconnect the power plug with wet hands. Doing so may cause electric shock or failure.
- Do not expose the power cable or ground wire on the aisle. They may get damaged and cause electric shock, short circuit, or fire. Prepare a wiring protection cover where wiring is placed on the floor.
- Do not place things on or damage the power cable. They may cause electric shock, short circuit, or fire.
- Do not pull on the power cable during or after installation. The damaged cord may cause electric shock, short circuit, or fire.
- When the power cable is damaged, contact your product retailer for a replacement. Keep using it as it is may cause electric shock, short circuit, or fire.
- Be sure to ground the earth wire. Improper grounding may cause electric shock.
- Hold the connector body to plug it in or pull it out. Working with holding a part other than the connector body may damage the cable and connector terminal fittings, resulting in electric shock, short circuit, or fire.
- When connecting the connectors, check their type and orientation and make sure that they are firmly connected. Orientation of the connector to connect is fixed. Carelessly applying loads may damage connectors and terminal fittings, causing electric shock, short circuit, or fire.
- Be careful not to damage the wiring. It may cause electric shock, short circuit, or fire.
- Do not twist or pull the wiring. Damaged conductors may cause a failure or fire.
- Do not touch any parts other than those specified. Doing so may cause electric shock, short circuit, or fire.
- Be careful not to lose fasteners (screws, nuts, washers, etc.). Touching current-carrying part with metal fasteners may cause electric shock, short circuit, or fire.
- Do not use deformed or damaged fasteners (screws, nuts, and washers). Replace them with the fasteners specified in this manual. If you have lost a fastener, use the fastener specified in this manual. Using unspecified fasteners may cause accidents such as parts falling off.
- Please note the following when handling heavy objects. Failure to do so may result in tripping, falling parts, or serious injury.
  - Prepare appropriate number of personnel. Weight supported by one worker should be about 15 kg.
  - Watch your step. Be careful not to slip or trip.

## WARNING

- Do not implement specification change (addition or modification to the unit) not specified by us.
  - It may cause electric shock or fire.
  - It may cause poor physical conditions of the user and people around while the product is in operation.
  - In case of an accident while the unit is not in our specification, we do not take any responsibility including liability to third parties.
- Doing work or replacing parts not described in this manual may cause an accident. When you need to perform a work that is not described in this manual, contact your product retailer to request the work or to get the detail of the work.
- Be sure to perform the periodic inspection described in this manual.

## CAUTION

- In order to work safely, perform the work in suitable clothing. We recommend use of gloves and safety shoes to prevent accidents and injuries.
- Be careful not to get your fingers caught when opening, closing, installing or removing the components.
- Be careful when working inside the cabinet. You could be injured by hitting yourself to something or by be caught on something.
- Handle glass and plastic components carefully. These parts may fracture, and their fragments and cracks may cause injuries.
- When fastening glass or plastic parts, be careful not to tighten screws and nuts too much. These parts may fracture, and their fragments and cracks may cause injuries.
- Be careful when placing a part made of glass. If it is laid against a wall surface or is put on the surface with protrusions or pebbles, it may break by its own weight, and its fragments may cause injuries.

## STOP

## IMPORTANT

- When performing periodic inspection or parts replacement, refer to the applicable items in this manual in advance and prepare necessary tools before starting work.
- Do not perform circuit inspection on the IC board. Inspection without special measuring equipment and instruments may cause damage to the board.
- Electronic components on the IC board may fail by static electricity from the human body. Before handling an IC board, discharge static electricity from your body by measures such as touching a grounded metal surface.
- Some of the parts used in this product are not the ones designed and manufactured specifically for this product. When these parts are discontinued or their specifications are changed due to the manufacturer's circumstances, we may not be able to satisfy the requests for repair or replacement even within the warranty period of this product.
- Do not turn on and off the power switch repeatedly in a short time. Doing so may cause failure or damage to the components.
- Be careful not to drop the removed fasteners (such as screws, nuts, and washers) into the cabinet. It may cause failure or damage to the components.
- This product is equipped with an LCD monitor. Be careful when cleaning the LCD monitor screen as it is easily damaged. <See 13-1>

## Stickers

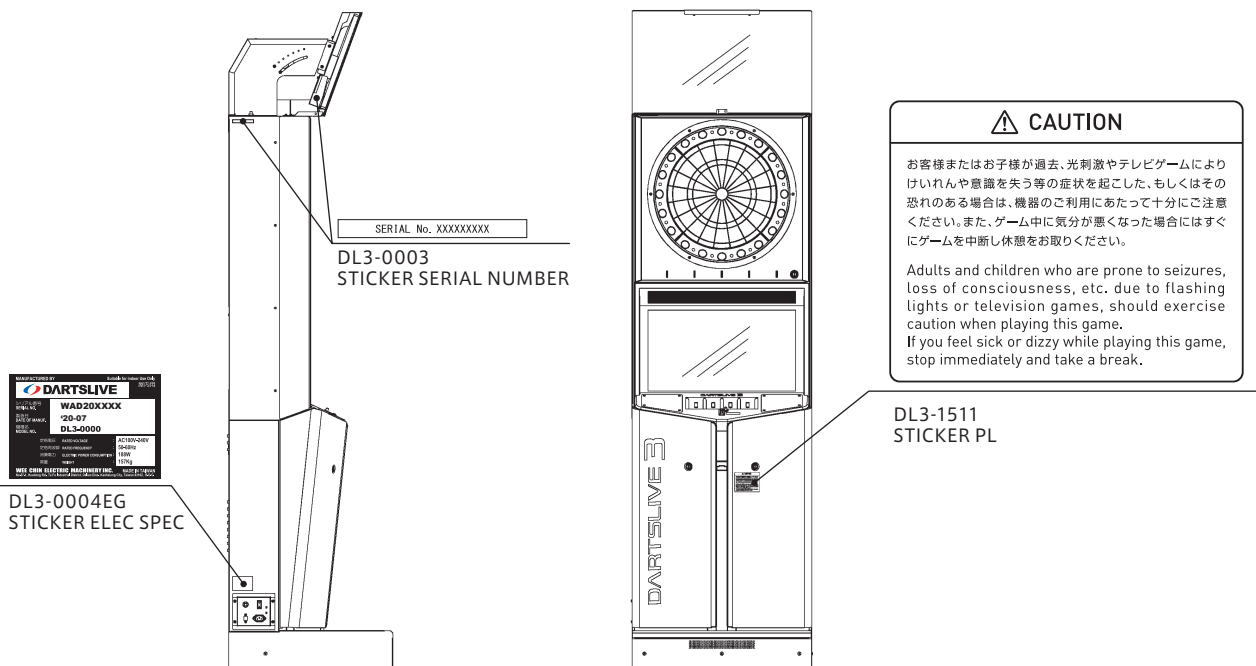
Our products are attached with a sticker stating its product serial number and electrical specifications.

When making inquiries for repair request or other matters, check the model and serial number on the sticker before making contact.

The serial number indicates the type and history of the product. Units of the same model produced in different times may be constructed with different parts. In addition, the product may be changed for improvement after the publication of this manual. In order to take actions quickly in various cases, provide the serial number when contacting the product retailer.

## Warning Signs

We provide warning signs on our products by attaching stickers to or printing them on the locations where hazards are expected. These signs are to prevent accidents involving customers and to avoid hazards related to maintenance work. There are some parts inside the cabinet where accidents can occur just by touching them, such as high-voltage sections. Pay attention to the warning signs when performing maintenance work. In particular, repair and replacement work not described in this manual should be performed by a technician who has knowledge on electrics. To prevent accidents, when a customer acts against the warnings, warn such person to stop the act.



2 Fig. 01

## 3 Precautions for Installation Location

### WARNING

- This product is an electrical product intended for indoor use. Do not install the unit outdoor. Also, do not install it at the following places even it is indoor. It may cause fire, electric shock, injury, or a fault.
  - Place where rain or water leaks, around indoor pool or shower, and other places with high humidity.
  - Place exposed to direct sunlight, around heaters, and other places with high temperatures.
  - Place filled with flammable gas or around flammable or volatile chemicals or hazardous materials.
  - Place with lot of dust.
  - Slopes, steps, or other unstable places.
  - Places with severe vibration.
  - Around emergency exits, fire extinguishers, and other disaster prevention equipment.
  - Place where the ambient temperature exceeds the applicable operating temperature of 5 °C to 30°C .
- Install the product with its back facing the wall. Also, never install it where people pass by close. Darts thrown by the player may cause injury to someone.

### Conditions for usage

### WARNING

- Be sure to check for electrical specifications. Ensure that the product is compatible with the power supply voltage and frequency requirements of the location. The product has a nameplate on which electrical specifications are described. Using any electrical specifications different from the designated specifications can cause a fire and an electric shock.
- Circuit breaker and grounding mechanism for this product are required at the location of installation. Not using the product as a standalone unit may result in fire or electric shock.
- Indoor wiring for power supply should be single-phase 100-240 V AC at 7 amps or more. Using any electrical specifications different from the designated specification can cause fire and electric shock.
- Be sure to use individual power supply with the earth leakage circuit breaker. Using a power supply without an earth leakage circuit breaker may cause fire when electric leakage occurs.
- Avoid octopus wiring. Overloading may cause overheating or fire.
- When using an extension cable, use a cable with a rating of 7 amps or more. Using a cable rated below the specified rating may cause fire or electric shock.

The maximum current on this machine is  
2.3 A (AC 100-240V 50-60 Hz)



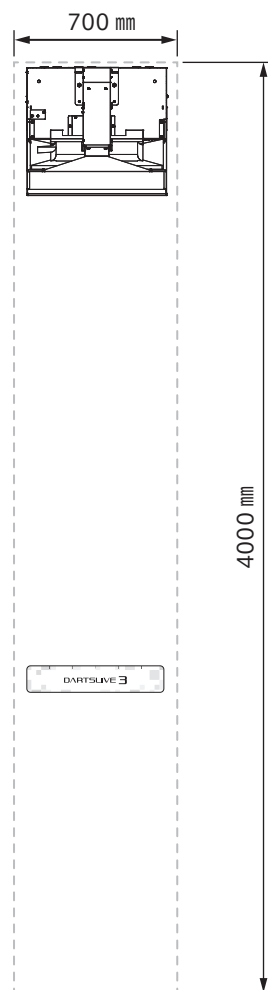
## Operation area

### ⚠ WARNING

- For safe operation, secure area with minimum width and depth of 0.7 m x 4 m to put this product in operation and commercial use.
- Be sure to provide ventilation space specified in this manual. Do not block the ventilation openings. It may cause overheating and fire accident.
- In case of accident due to operation of the product in area smaller than specified in this manual, we will not bear any responsibility including compensation liability to third parties.

### STOP IMPORTANT

When bringing in this product inside, the doorway must have a minimum width of 0.7 m and height of 1.2 m.



3 Fig. 01

When installing this product, leave at least 10 cm on both sides of the cabinet. Maintenance work is performed with doors opened. Small space around the cabinet can cause accidents during maintenance work.

## 4 Operation Precautions

Observe the following precautions for safe operation of this product.

### 4 - 1 Precautions during Operation

#### WARNING

To prevent accidents, check the following before starting commercial operation.

- Operate this product under sufficient lighting that allows the players and other customers to read warning signs so to prevent them from getting poor physical conditions such as dizziness and headaches. Apart from poor physical condition, insufficient lighting can also cause contact or collision between the customers, and other unexpected problems.
- Prepare a facility where player who is feeling sick can take a rest.
- Check that all the adjusters are touching the floor. If not, the cabinet may move and cause an accident.
- Do not place heavy objects on top of this product. It may drop or damage the components.
- Do not climb on this product. Doing so may cause a fall and trip accident. To look at high places, prepare a step.
- Check that the door and cover parts are not damaged or fell off. It may cause electric shock accident.
- Do not place the following items on or around this product or the LCD unit. It may cause electric shock, short circuit, or damage to the components.  
(Vases, flowerpots, cups, aquariums, cosmetics, containers containing chemicals, water, etc.)

#### CAUTION

- During daily cleaning, be sure to inspect for the scratch or crack on the surface of the target door (darts board), card reader, touch screen, and other parts that the player touches, and for loose fixing screws. Playing with the unit with scratches, cracks, or loose screws may cause injury to the player.
- To prevent accidents, consider the condition of the crowd and secure enough space in the location where the unit is installed. Small space may cause the customers to touch and collide with other people, causing accidents and troubles.

## 4 - 2 Precautions during Commercial Operation (Attentions to Customers)

To prevent accidents and unnecessary trouble, always pay attention to the behavior of customers and players.

### WARNING

- Do not let the following persons play the unit. They may cause accident or injury.
  - Drunken person
  - Those who act against the warning signs on the machine
- Even if a person has not experienced poor physical condition caused by light stimulation or the like, he/she may experience dizziness or headache depending on his/her physical condition during play. In particular, young children are underdeveloped and more likely to get poor physical condition due to play. Be sure to get their guardians to watch young children while they are playing.
- Encourage those getting poor physical condition to see a doctor.
- Do not place heavy objects or drinks on top of this product. It may cause accident with falling object or electric shock due to spilled drinks.
- Do not allow them to put hands, fingers, or foreign objects into the openings or gaps between the doors of this product. Doing so may cause electric shock or short circuit.
- Stop them immediately from leaning or climbing on this product. They may cause trip or fall accident.
- Do not let them unnecessarily disconnect the power cable. It may cause electric shock or short circuit.

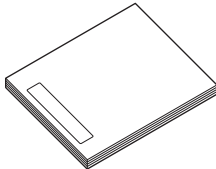
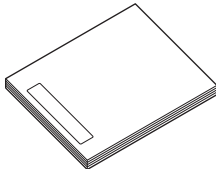
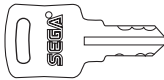
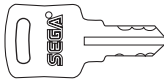
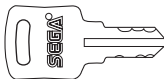
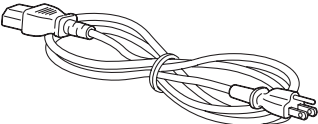
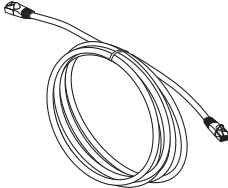
### CAUTION


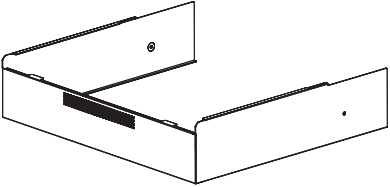
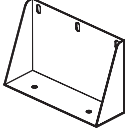



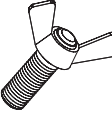

- Stop them immediately from taking violent actions such as hitting or kicking the product. It may result in damage to the components or trip accident, which may result in injury due to broken pieces or a trip accident.
- Insert the card in the direction of the arrow so that its front side is visible. Inserting it in the wrong direction may cause network communication error. In that case, re-insert the card in the correct direction.

## 5 Accessories

When the product is delivered, confirm that you have the parts shown in the table below. Parts that say "Spare" in their "Application, etc." column are consumables that are included for spares. For consumables not on this table, see "WARRANTY" at the beginning of this manual.

### ■ List of included parts

Part / Part No.	Description / Application, etc.	Qty
INSTRUCTION MANUAL DL3-7101EG	 This manual	1
OWNERS MANUAL DL3-7102EG		1
Maintenance Key 220-5793-2-A001	 For target door and lower door (L)	2
Coin Chute Key 220-5793-2-A002	 For lower door (R)	1
Cash Box Key 220-5794	 It is hung next to the coin chute box when shipped from the factory.	2
Power Cable Specifications vary by country. Refer to your product retailer for the model number.		1
LAN Cable 10m		1

Part / Part No.	Description / Application, etc.	Qty
Throw Line Sticker DL3-7001		1
Step cover DL3-0001		1
Anti-tip bracket DL3-0002		1
Screw M5 x 10 mm (Black)		2
Screw M4 x 8 mm (Black) with Flat Washer and Spring Washer		4
Hexagon Head Bolt M8 x 16 mm (Black) with Flat Washer and Spring Washer		3
Wing Bolt M8 x 20 mm		5
Large Flat Washer		5

1

2

3

4

5

6

7

8

9

10

11

12

13

## 6 How to Install and Assemble the Unit

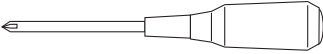
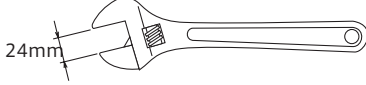
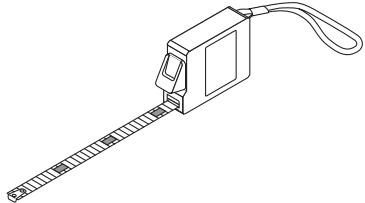
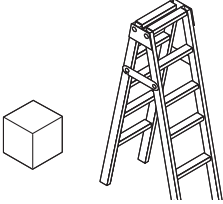
### WARNING

- The work should be performed by Site Maintenance Personnel or technician. It may cause electric shock.
- Pay attention to the surrounding areas when the work is being performed with multiple workers simultaneously. Place someone to observe the work as necessary. Failure to pay attentions may result in minor or major collision accident. When there is a mistake in the order of assembly while different person performs each work, it may cause unexpected accidents.
- Work instructed as "work by multiple persons" in this manual should be performed by at least the number of persons specified in this manual. It is difficult to perform the work with less than the specified number of persons. It may cause an accident.
- Prepare a step with sufficient strength and stability for safe and secure work. Unstable step may cause trip or fall accident.
- While working on a step, be careful not to trip over, fall, or hit your head against the ceiling or cabinet. It may cause serious injury.
- Provide enough space to work safely. Narrow places and low ceilings may cause accidents during work.
- Check that the adjusters and casters on the bottom of the lower cabinet are not damaged. Using them left with damage may cause the unit to fall over.
- Land all the adjusters on the bottom of the lower cabinet on the floor. The cabinet may move and cause an accident.
- Do not work in places with inclinations, steps, grooves or other structures. It may cause a serious accident such as cabinet falling over. In addition, it prevents smooth performance of work.
- Work with sufficient lighting. Working in inappropriate environment may cause an accident.
- Be sure to ground the ground wire. If it is not grounded, it may cause electric shock. In addition, it may cause malfunctions or damage to the components.
- Be sure to connect the connectors securely. Insufficient insertion may cause electric shock, short circuit, or fire.
- Be careful not to damage the wiring. It may cause electric shock, short circuit, or fire.
- When connecting wiring inside the cabinet, the indoor lighting may not reach there. Prepare flashlight or other auxiliary lighting devices. Carelessly connecting the wirings may cause electric shock, short circuit, or fire.
- Install the product with its back facing the wall. Also, never install it where people pass by close. Darts thrown by the player may cause injury to someone.

## ⚠ CAUTION

- Be careful not to get your fingers caught when opening, closing, installing or removing the components.
- Handle plastic components carefully. These parts may fracture, and their fragments and cracks may cause injuries.
- When fastening plastic components, be careful not to tighten screws and nuts too much. These parts may fracture, and their fragments and cracks may cause injuries.
- Dropping a part may cause an accident. Support the parts firmly and fix with screws or bolts. Alternatively, perform the work with one worker supporting the parts and another worker fixing them.
- To work safely, work in clothing fit to work. To prevent accidents and injuries, we recommend use of gloves and safety shoes.

### ■ Tools required for work

 <p>Phillips screwdriver For M4 and M5 screws</p>	 <p>Wrench 24 mm across flats</p>	 <p>Tape measure / Ruler</p>
 <p>Step ladder / Step</p>		



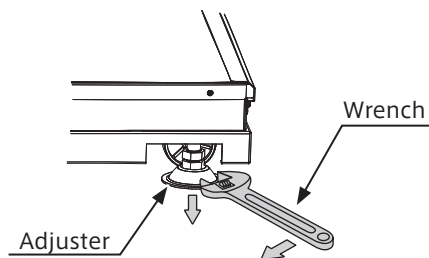
## 6 - 1 How to Install the Unit

### ⚠ WARNING

- Upper cabinet weights 57 kg. Be sure to work with two or more persons to avoid accident.
- Adjust the position of the adjuster strictly to install the product horizontally.
- Upper cabinet is not very stable on its own. Handle with care not to let it fall over. In addition, do not open the target door when the unit is by itself.
- Use all specified screws to fix the upper and lower cabinets and the upper monitor. Fix them firmly. Insufficient fixing may cause a serious accident by dropping or falling over.

#### STEP 1

First, secure space for assembling near the installation location. In purpose of preventing fall accidents during work, use a wrench to land the four adjusters at front and back of the lower cabinet to the ground.



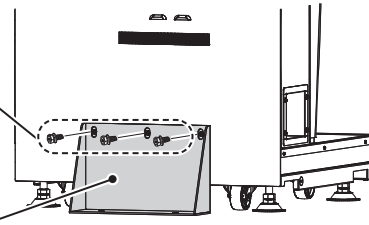
6 - 1 Fig. 01

#### STEP 2

Attach the included anti-tip bracket to the lower back of the lower cabinet with the three hexagon bolts included.

Hexagon bolt – 3 pcs.  
M8 x 16 mm with flat washer and spring washer

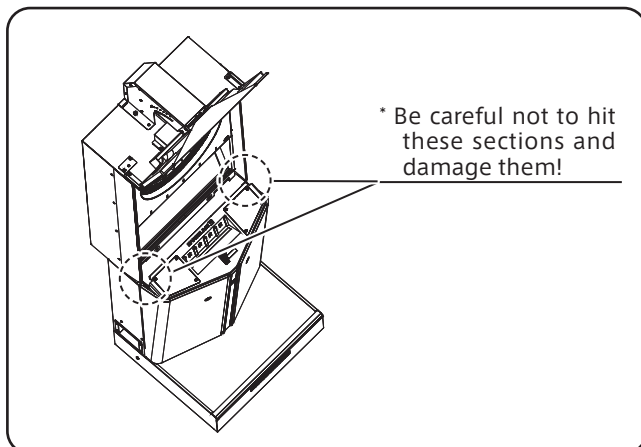
Anti-tip bracket



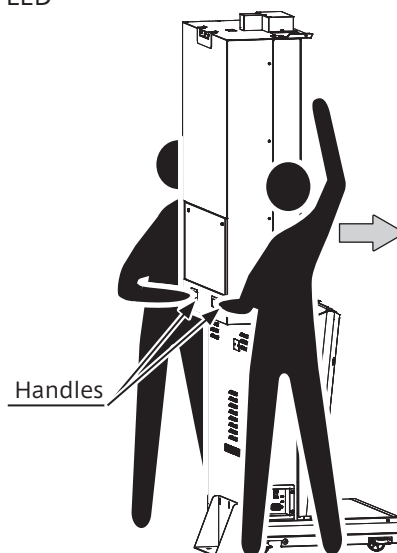
6 - 1 Fig. 02

#### STEP 3

Hold the handles located at the lower back of the upper cabinet and its front face to put it on top of the lower cabinet from its rear. Slide it forward slowly, aligning their side surfaces. When doing this, make sure that the side LED does not damage the control panel.

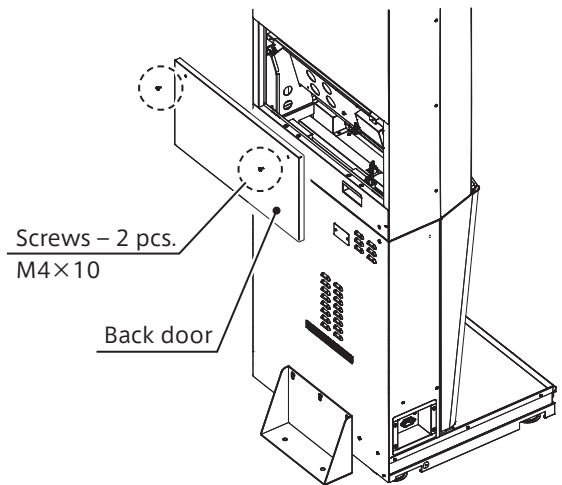
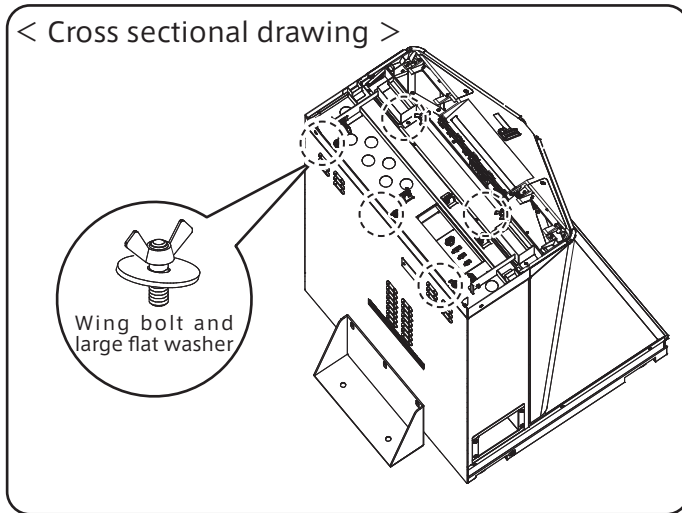


6 - 1 Fig. 03



**STEP 4**

Remove the two screws, open the back door, and fasten the upper and lower cabinets securely with the included five wing bolts (M8 x 20 mm) and large flat washers.  
\* For the location of the wing bolts, refer to the cross sectional drawing.



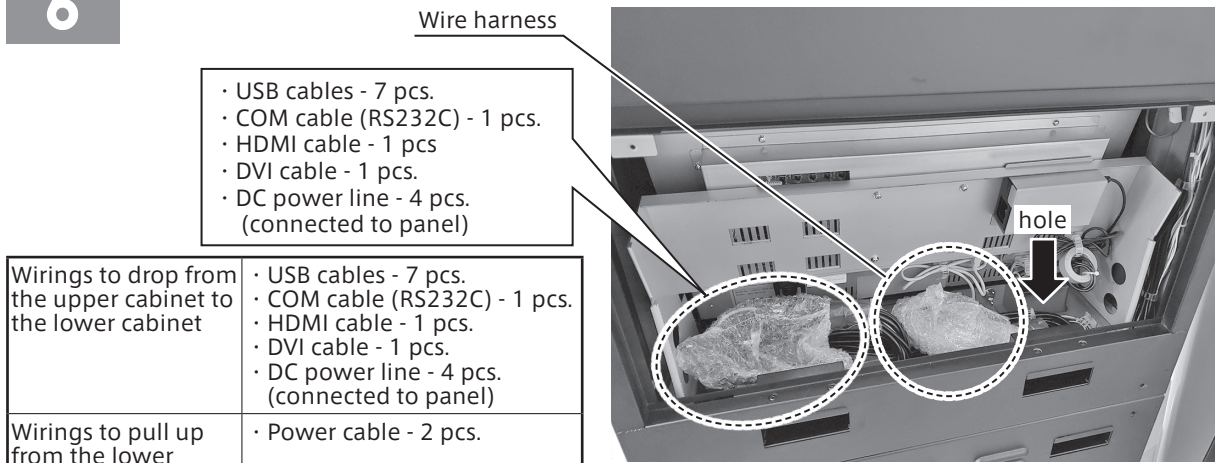
6 - 1 Fig. 04

**STEP 5**

Remove the air caps from the wire harness and various cables temporarily fixed to the back of the touch screen monitor. (At two locations.)

**STEP 6**

Drop the cables through the holes in the cabinet into inside the lower cabinet.

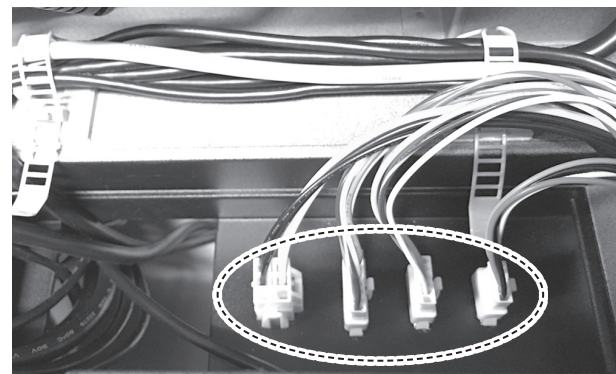


Wirings to drop from the upper cabinet to the lower cabinet	<ul style="list-style-type: none"> <li>• USB cables - 7 pcs.</li> <li>• COM cable (RS232C) - 1 pcs.</li> <li>• HDMI cable - 1 pcs.</li> <li>• DVI cable - 1 pcs.</li> <li>• DC power line - 4 pcs. (connected to panel)</li> </ul>
Wirings to pull up from the lower cabinet to the upper cabinet * Described in STEP 9	<ul style="list-style-type: none"> <li>• Power cable - 2 pcs.</li> </ul>

6 - 1 Fig. 05

**STEP 7**

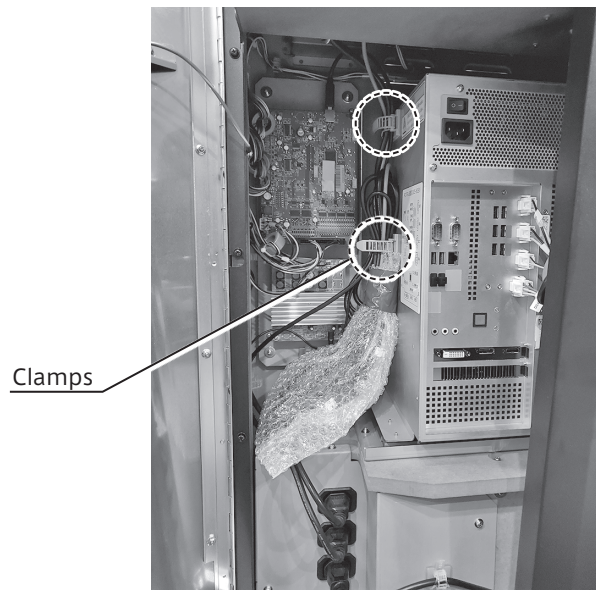
Connect the connectors of the wire harnesses (at four locations).



6 - 1 Fig. 06

STEP  
8

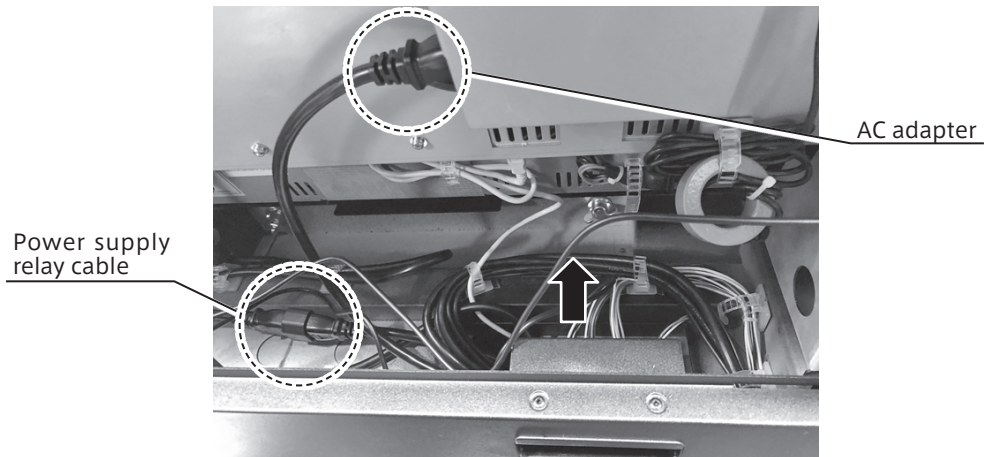
Open the lower door (L) with the maintenance key. Release the cables on the left side of the PC unit from the clamps (at two locations). Remove the air cap.



6 - 1 Fig. 07

STEP  
9

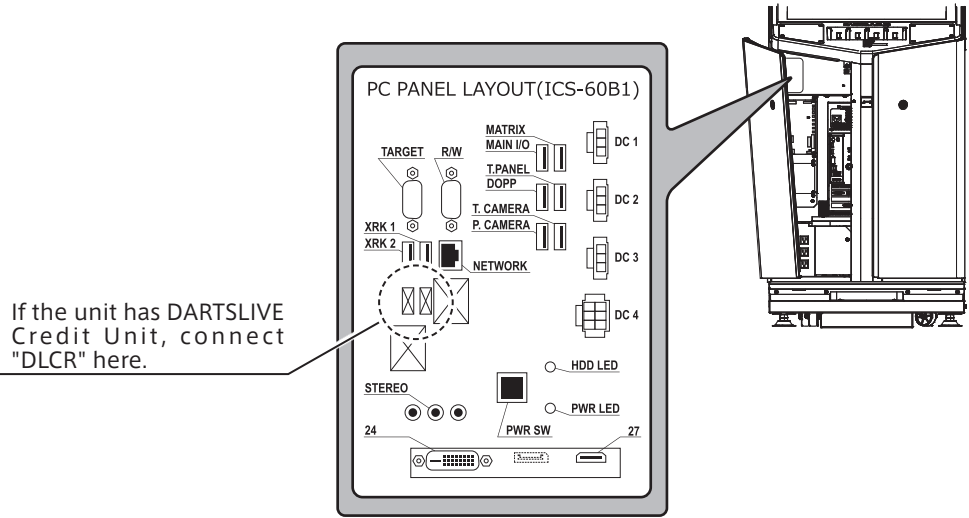
Pull up the two power cables from the hole at the top of the PC unit to the upper cabinet. Go to the back of the cabinet, and connect the power cables to the AC adapter for the touch screen monitor, and to the power supply relay cable. Fix them with clamps. It does not matter which power cable is connected to which. Insert the power cables firmly until the end. Not doing so may cause contact failure.



6 - 1 Fig. 08

**STEP  
10**

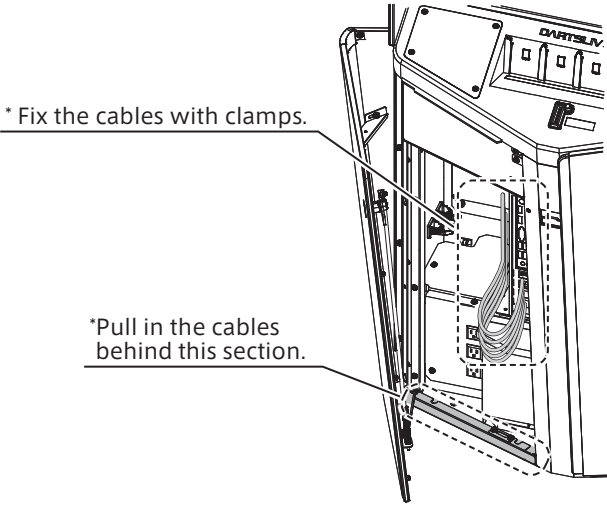
Referring to the " PC PANEL LAYOUT " affixed to the lower cabinet and the tags attached to the cables, connect all cables to the PC unit in order starting from the bottom.



6 - 1 Fig. 09

**STEP  
11**

If the cables are placed too much in the front, they interfere with the lower door (L) when it opens and closes, causing damage or contact failure. When you connected all the cables, bundle them neatly, pull them to the back, and secure them with the clamps (at two locations) on the left side of the PC unit. Close and lock the lower door (L).



6 - 1 Fig. 10

- 1
- 2
- 3
- 4
- 5
- 6
- 7
- 8
- 9
- 10
- 11
- 12
- 13

## STOP IMPORTANT

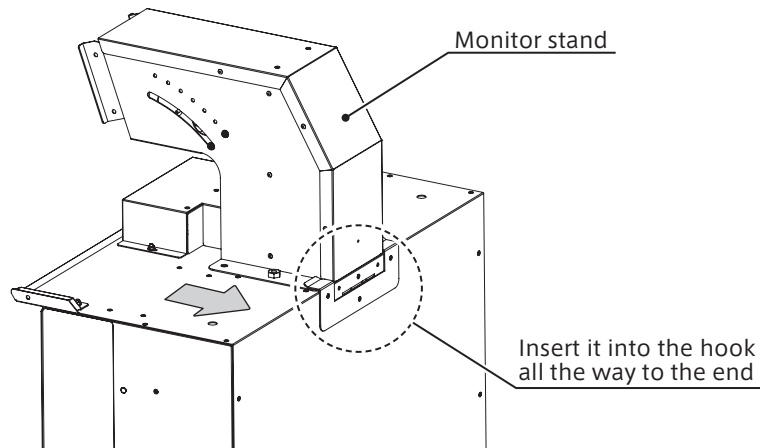
There are two ways to mount the upper monitor.

- (1) Attach the monitor stand to the main unit first, and attach the monitor to it (standard method).
- (2) Assemble the monitor and monitor stand first, and attach them to the main unit.

Method (2) is suitable for installation in a place with lower ceiling. We will describe the method (2) in STEPs 17 - 21.

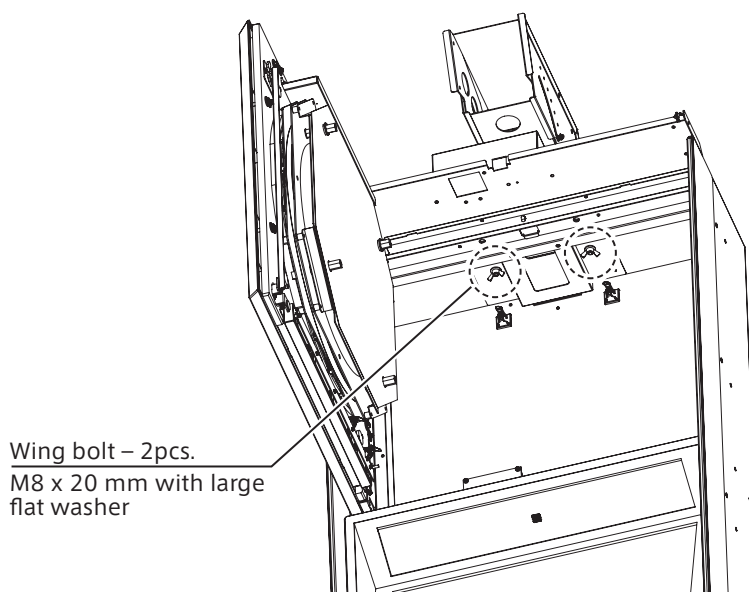
Attach the monitor stand to the main unit first, and attach the monitor to it

**STEP 12** Insert the monitor stand into the hook at the top of the cabinet. (It may be installed already at shipping.)



6 - 1 Fig. 11

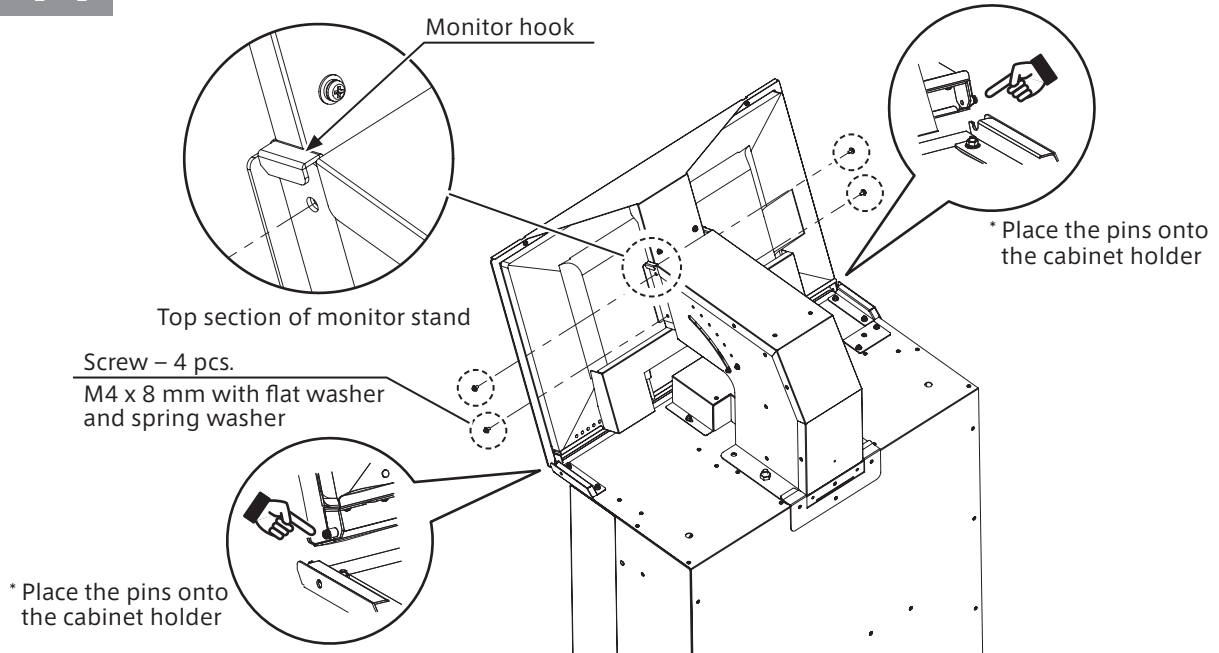
**STEP 13** Open the target door with the maintenance key. Secure the monitor stand with the included two sets of wing bolt and flat washer from inside the cabinet.



6 - 1 Fig. 12

**STEP  
14**

Hook the monitor hook to the top of the monitor stand. Place the pins at both ends of the bottom of the monitor onto the cabinet holder. Secure the monitor and monitor stand with four screws.



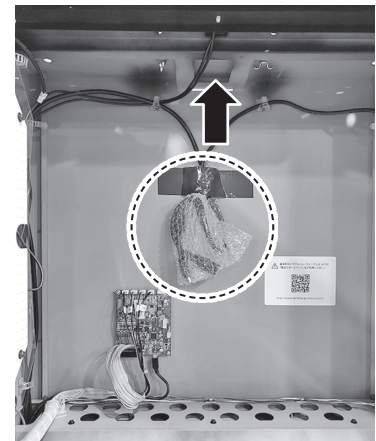
6 - 1 Fig. 13

**⚠ WARNING**

This work should be done by two or more persons. Not doing so may cause accident due to dropping or falling over.

**STEP  
15**

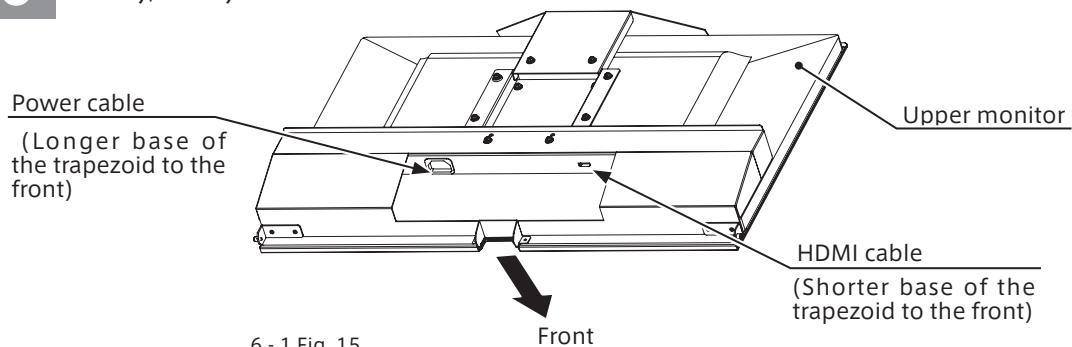
Open the target door with the maintenance key. Remove the air caps from the power cable and the HDMI cable for the upper monitor. Push them out through the hole at the top of the cabinet.



6 - 1 Fig. 14

**STEP  
16**

Connect the power cable and HDMI cable pulled up from inside the cabinet to the upper monitor. Insert the power cable firmly all the way to the end. If it is not connected firmly, it may cause contact failure.



6 - 1 Fig. 15

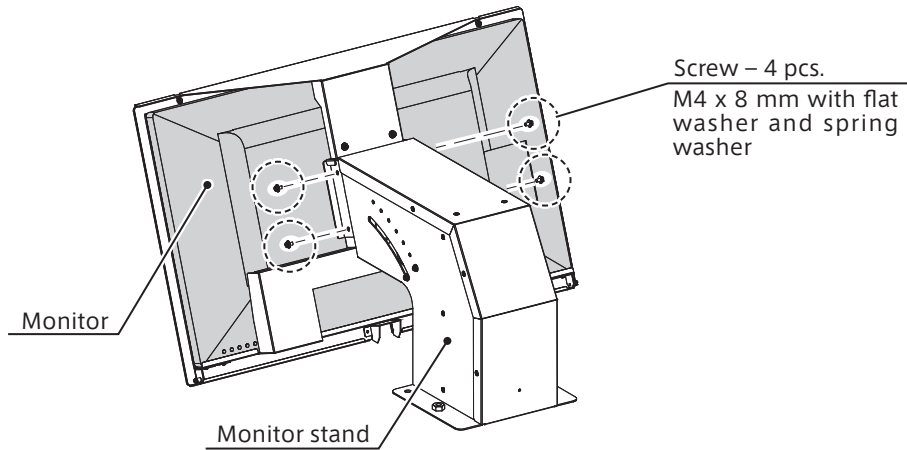


**Assemble the monitor and monitor stand first, and mount them to the main unit**

If you have completed the procedures STEPs 12-16, proceed to STEP 22.

**STEP 17**

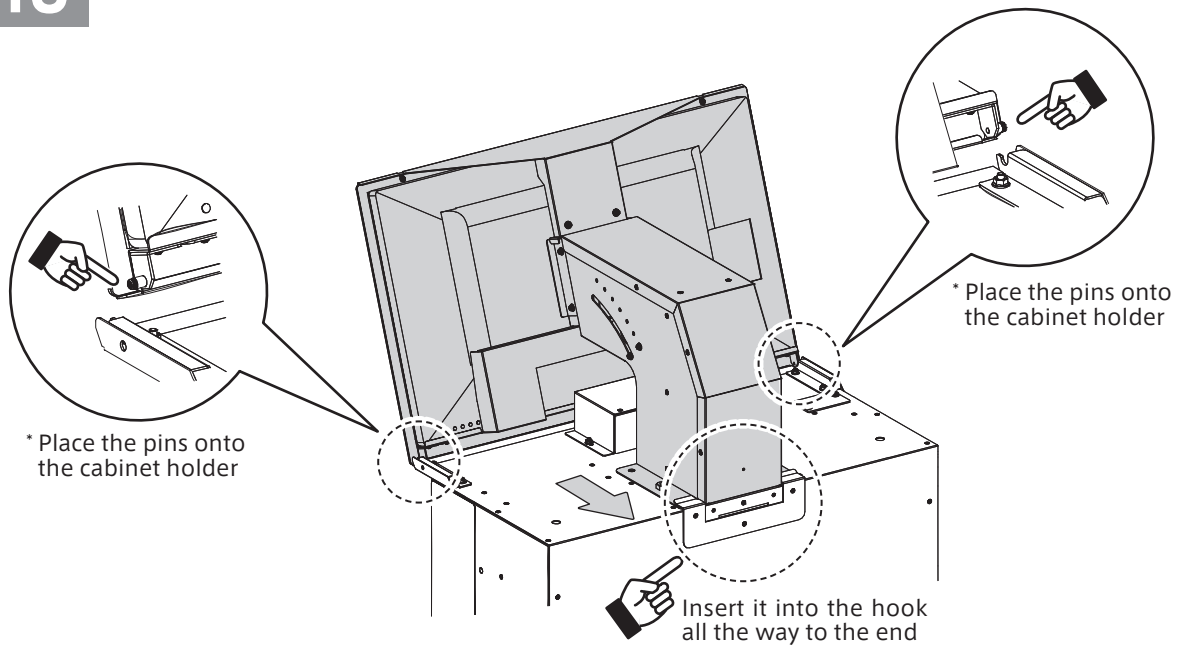
Attach the monitor stand to the monitor with four screws.



6 - 1 Fig. 16

**STEP 18**

While inserting the assembled upper monitor from the front into the hook on the top of the cabinet, place the pins on both ends onto the cabinet holder.



6 - 1 Fig. 17

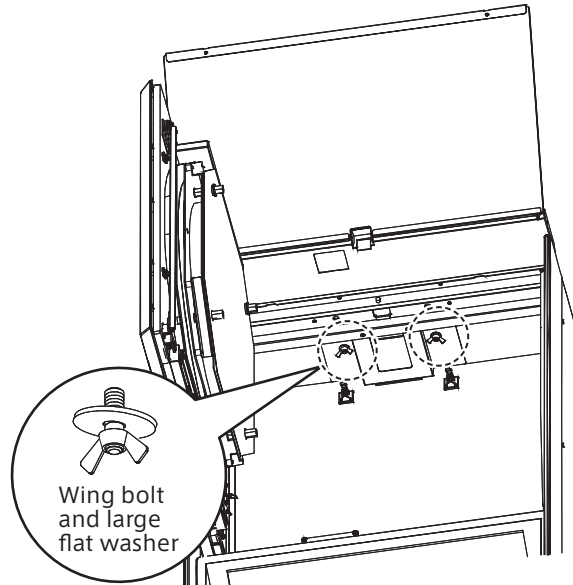
**⚠ WARNING**

This work should be done by two or more persons. Not doing so may cause accident due to dropping or falling over.



**STEP**  
**19**

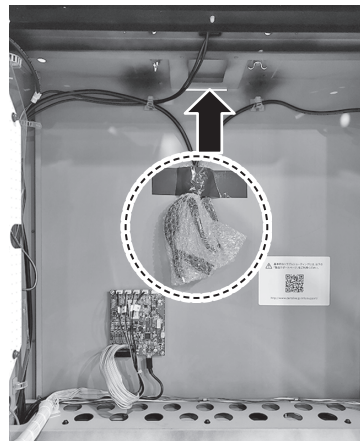
Secure the upper monitor with the included two wing bolts (M8 x 20 mm) and large flat washers from inside the cabinet.



6 - 1 Fig. 18

**STEP**  
**20**

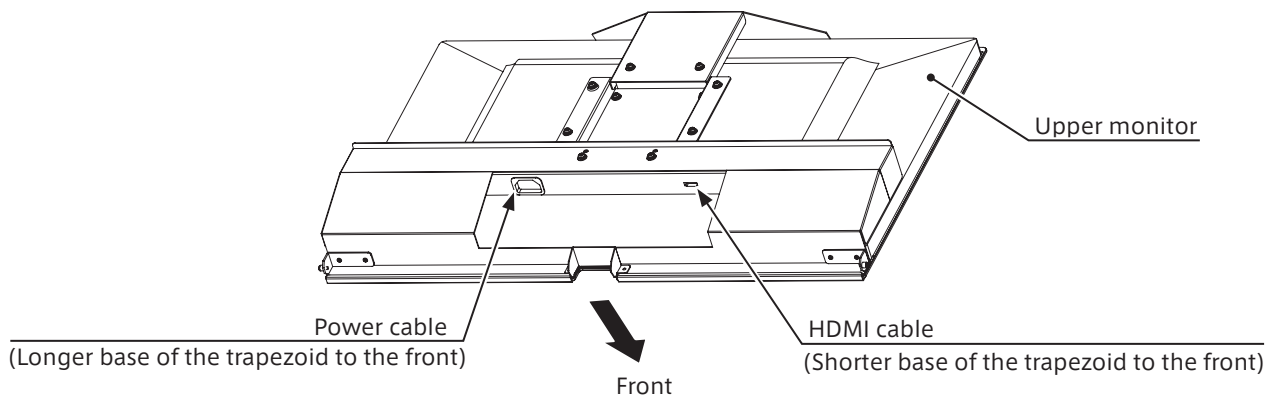
Open the target door with the maintenance key. Remove the air caps from the power cable and the HDMI cable for the upper monitor. Push them out through the hole at the top of the cabinet.



6 - 1 Fig. 19

**STEP**  
**21**

Connect the power cable and HDMI cable pulled up from inside the cabinet to the upper monitor. Insert the power cable firmly all the way to the end. If it is not connected firmly, it may cause contact failure.

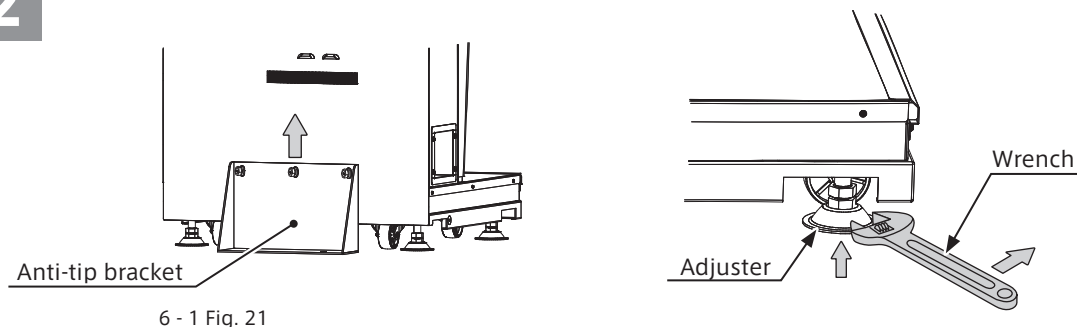


6 - 1 Fig. 20

- 1
- 2
- 3
- 4
- 5
- 6
- 7
- 8
- 9
- 10
- 11
- 12
- 13

STEP  
22

Loosen the fixing screws of the anti-tip bracket. Slide it up and fix it. Raise the four adjusters at front and rear.



6 - 1 Fig. 21

STEP  
23

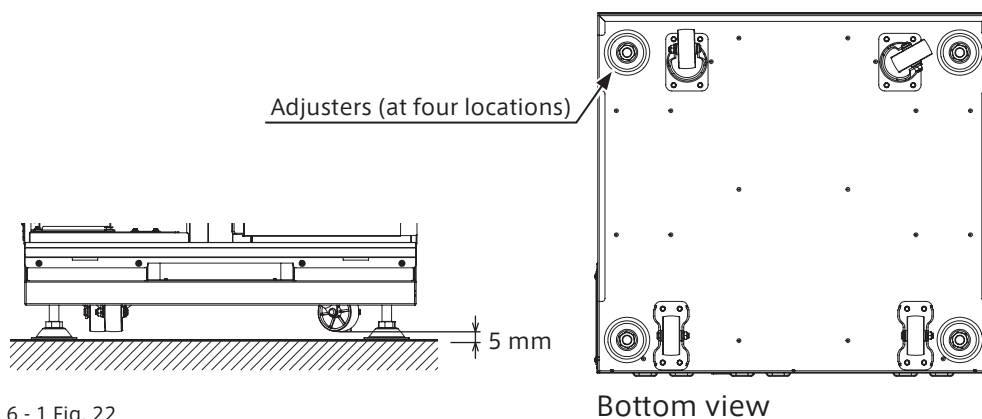
Move the assembled main unit slowly to the installation location.

**CAUTION**

- You cannot move it sideways. You can only turn the two casters in the front, so move it with its front side facing the direction of travel.
- This work should be done by two or more persons.

STEP  
24

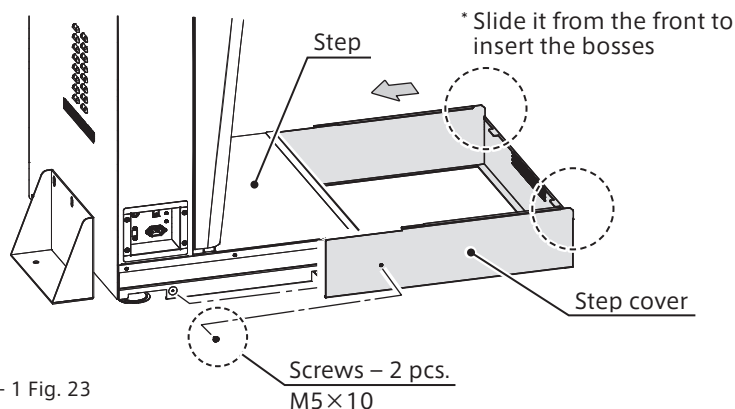
Land all adjusters onto the floor so that the cabinet does not move. Lower the adjusters until the casters float from the ground by 5 mm, and fix them. After they are fixed, lower and land the anti-tip bracket, and fix it.



6 - 1 Fig. 22

STEP  
25

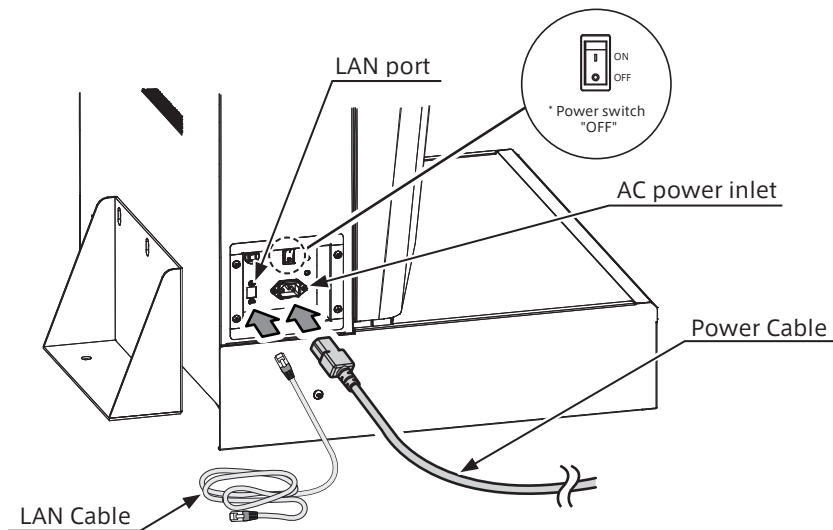
While sliding the step cover from the front, insert the boss at the front into the slits at the step. Secure it with the two included screws from the left and right.



6 - 1 Fig. 23

**STEP  
26**

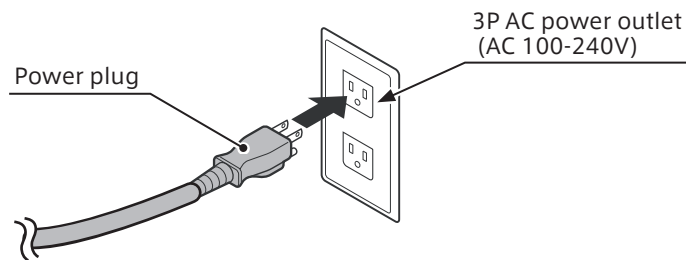
Confirm that the power switch is set to "OFF". Connect the included power cable to the AC power inlet, and the included LAN cable to the LAN port.



6 - 1 Fig. 24

**STEP  
27**

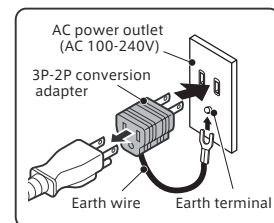
Connect the power plug to the outlet. Connect the other end of the LAN cable to the hub of the shop.



6 - 1 Fig. 25

### ⚠ CAUTION

- This product has an earth wire inside the power cable. To prevent electric shock and malfunction, use a grounded outlet or a commercially available conversion adapter to securely ground the earth terminal.
- If the AC power outlet is not 3P (with ground), connect the cable to a commercially available power cable conversion plug (3P-2P conversion adapter), and then to the AC power outlet. Then, connect the earth wire of the 3P-2P conversion adapter to the earth terminal of the AC power outlet.

**STEP  
28**

Turn "ON" the power switch, and start it up.

**STEP  
29**

Refer to "4 Starting up New Machine Online (Initial Setup)" in another document, OWNERS MANUAL, and check the operation and set various settings.

## 6 - 2 LED Brightness Adjustment

STEP  
1

Unlock and open the target door with one maintenance key. You have LED brightness adjustment switches at the bottom left corner of the target.

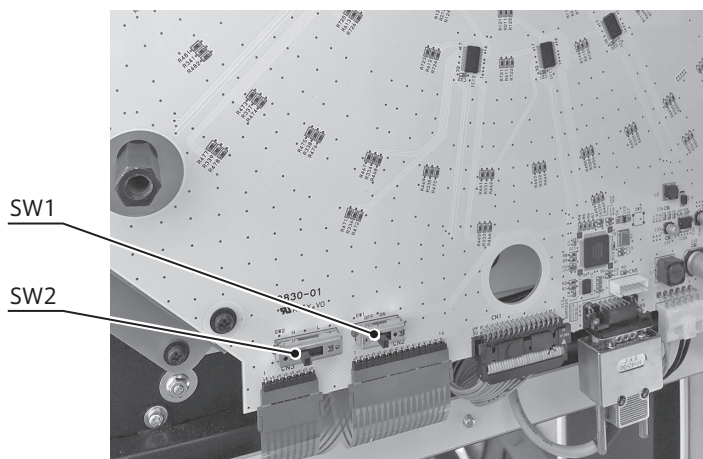
STEP  
2

Turn on or off LED lighting with SW1 on the right.

STEP  
3

Adjust the brightness of the LED in three levels with SW2 on the left: [L (dark), (slightly dark), and H (normal)].

\* For details on testing LED, refer to Chapter 5 (5-1-4 Target) on another document, OWNERS MANUAL.



6 - 2 Fig. 01

## 6 - 3 Adjusting Angle of Upper Monitor

At place with lower ceiling, you can slightly reduce the height of the cabinet by adjusting the angle of the upper monitor.

STEP  
1

Remove the two screws on sides of the monitor stand.

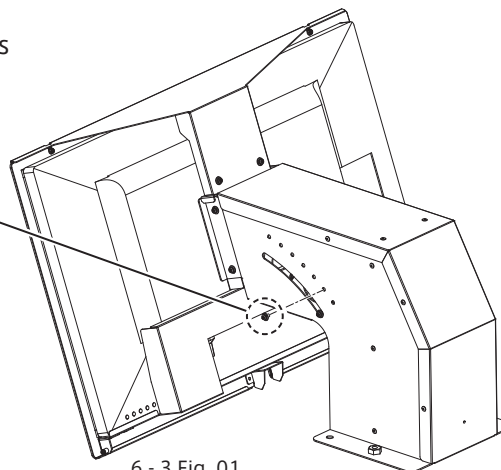
STEP  
2

Adjust the angle of the monitor, taking care not to disconnect the power cable or HDMI cable.

STEP  
3

Fix the angle with the two screws on sides of the monitor stand.

Screws – 2 pcs.  
M4 x 8 mm  
with flat washer and spring washer



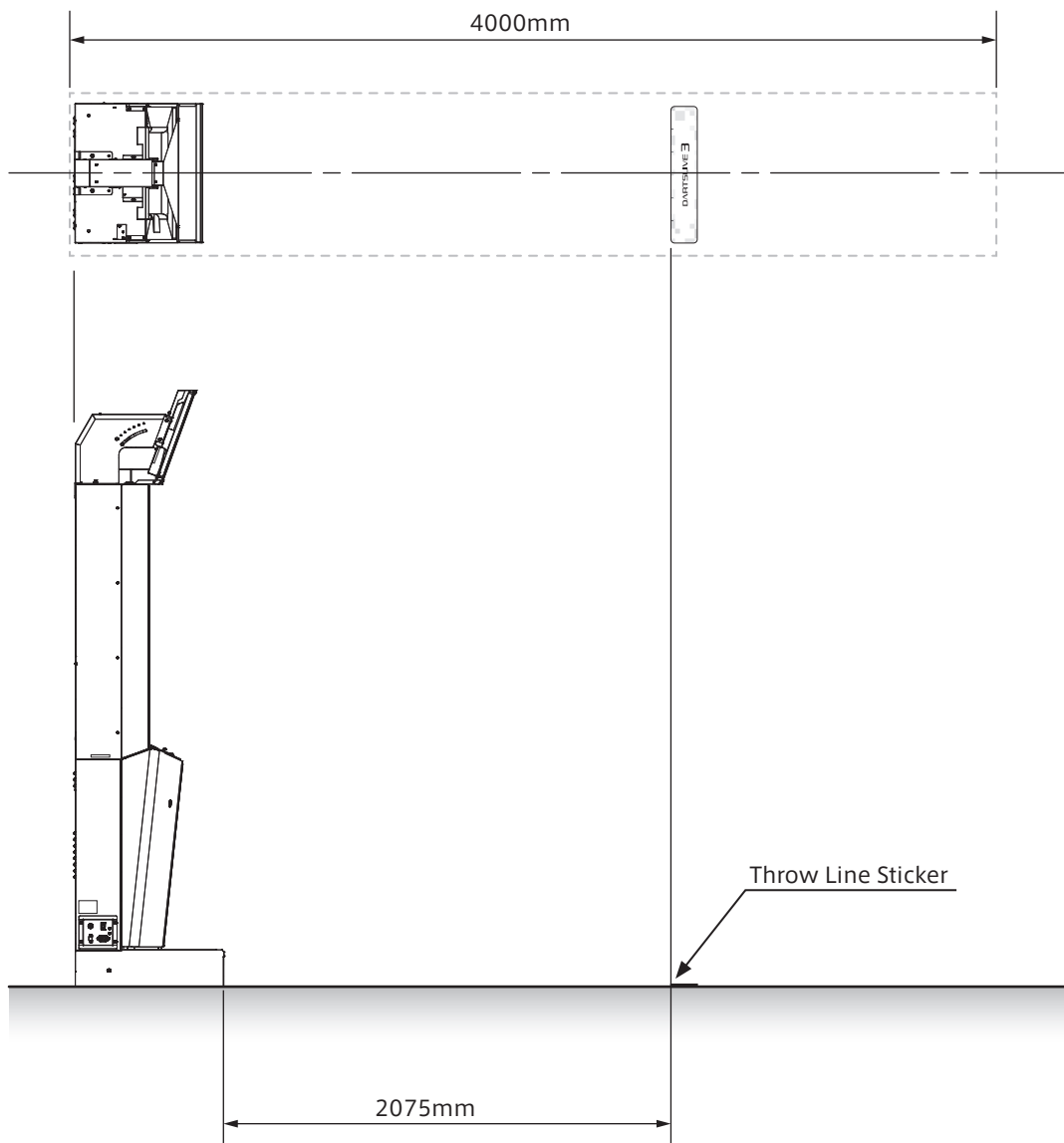
6 - 3 Fig. 01

## 6 - 4 Pasting Throw Line Stickers

### **STOP** IMPORTANT

Under the rule, the center of the target is used as the reference point. The center should be located at height of 173 cm. Throw line sticker should be located at distance of 244 cm from directly below the center, and this is the position where you throw the dart (arrow) from. The error should be  $\pm 1.5$  cm. Note that this is not the distance from the wall.

With reference to the front face of the step, paste throw line sticker onto the ground, parallel to the front face of the cabinet.



6 - 4 Fig. 01

## 7 Precautions When Moving the Unit

### WARNING

- "Move" described in this manual refers to moves within the same building. Moving to different buildings, regions, shops or facilities is not described in this manual because there are various factors such as packing, loading on transport vehicles, and securing during transport. If you are to move the unit to a different building or shop, contact your product retailer.
- Never perform disassembling work not described in this manual. It may cause electric shock, short circuit, or fire.
- When moving the unit, unplug the power plug and LAN cable. Moving the unit with the cables inserted may damage them, resulting in electric shock or fire.
- When moving the unit across the floor, raise the adjusters and land the casters. Be careful not to let the casters step on the power cable or other wiring while moving. Damaged wiring may cause electric shock, short circuit, or fire.
- When lifting the cabinet, hold its handle or bottom section. Lifting by holding the weak sections may cause weight of the cabinet to damage the parts and joints, and may cause personal injury.
- Do not leave the cabinet on inclined surface, unstable place, or step. It may fall over.
- The following work must be done by two or more persons.

### CAUTION

- Do not press on the monitor or molded parts. Handling them carelessly can damage the parts, and the fragments may cause personal injury.
- While the casters at the front end can be turned, ones at the rear end are fixed. You cannot move the cabinet sideways. Be careful not to push its back hard from left and right. It may fall over.

## Procedure for moving the unit

**STEP**  
**1**

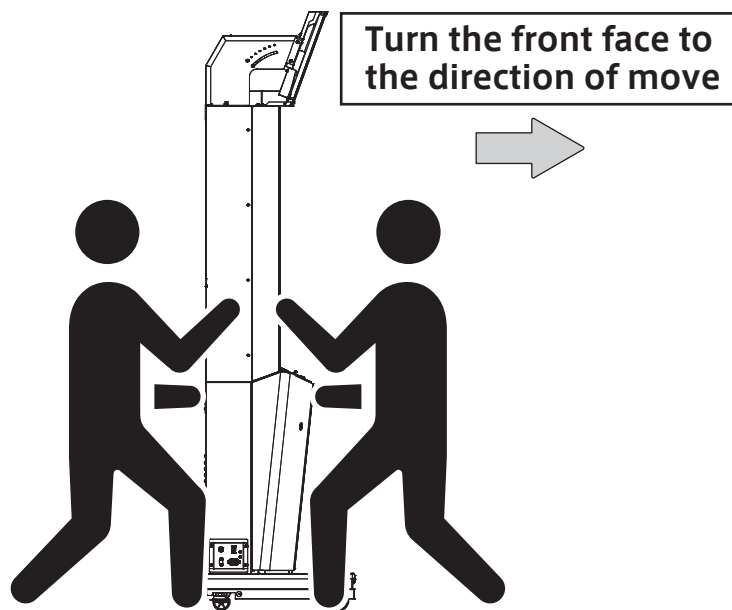
Confirm that the power switch is "OFF". Unplug the power cable and LAN cable.

**STEP**  
**2**

Remove the two screws (M5 x 10 mm). Slide the step cover to the front and remove it. Raise the adjusters. If the unit is equipped with anti-tip bracket, remove the three hexagon bolts (M8 x 16 mm) and remove the bracket.

**STEP**  
**3**

Do not bring down the cabinet. Turn its front face to the direction of the move, and move it slowly with two or more persons.



7 Fig. 01

## 8 Maintenance of Sections of the Unit

### WARNING

- Turn off the power before starting work. Failure to do so may cause electric shock or short circuit.
- Be careful not to damage the wiring. Damaged wiring may cause electric shock or short circuit.
- Do not touch any section other than those specified. Doing so may cause electric shock or short circuit.
- This work should be done by Site Maintenance Personnel or Serviceman. Work by someone without skills may cause electric shock accident.
- Never perform disassembling work not described in this manual. Unnecessary work can cause unexpected accidents.

### CAUTION

- Be careful not to get your hands or fingers caught when opening and closing the door.
- This work requires use of sharp-edged tool. Be careful not to hurt yourself.
- Be careful when handling plastic products. Carelessly applying force may damage them and their fragments or cracks may cause injury.



## 8 - 1 Target

### ■ 8 - 1 - 1 Replacing Segment

#### **STOP** IMPORTANT

- When mounting double bull or single bull, pay attention to the direction of the boss.
- Prepare a protective mat to prevent damage to the components of disassembled target.
- There are film-like components of the target. Be careful not to bend them.

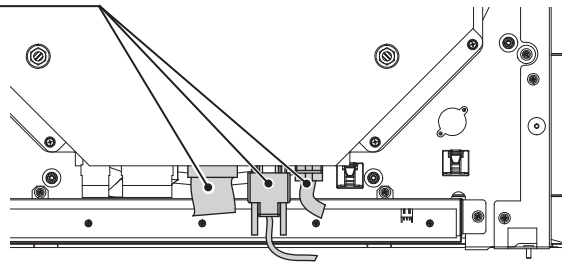
**STEP**  
**1**

Turn "OFF" the power switch. Unlock and open the target door with the maintenance key.

**STEP**  
**2**

Unplug the three connectors connected to the target.

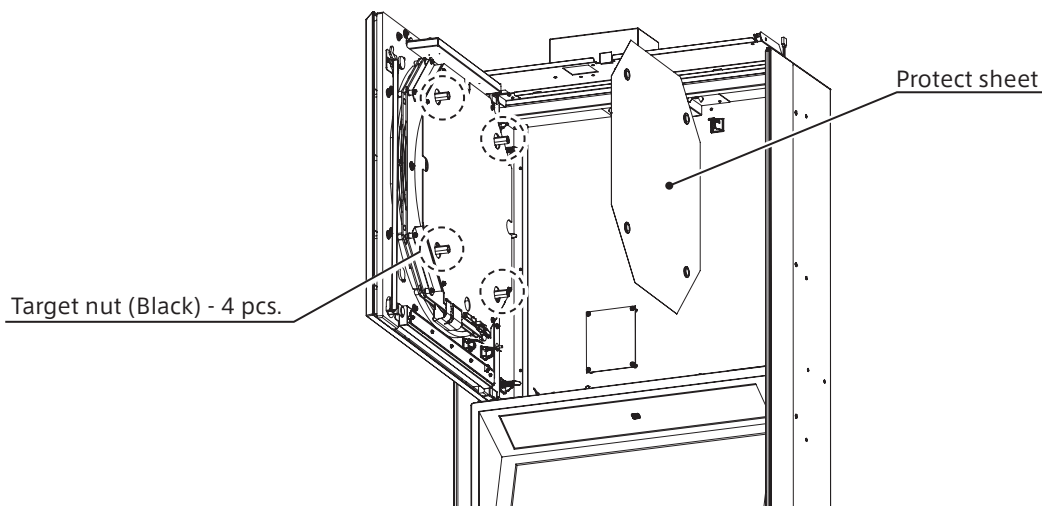
Connectors at three locations



8 - 1 - 1 Fig. 01

**STEP**  
**3**

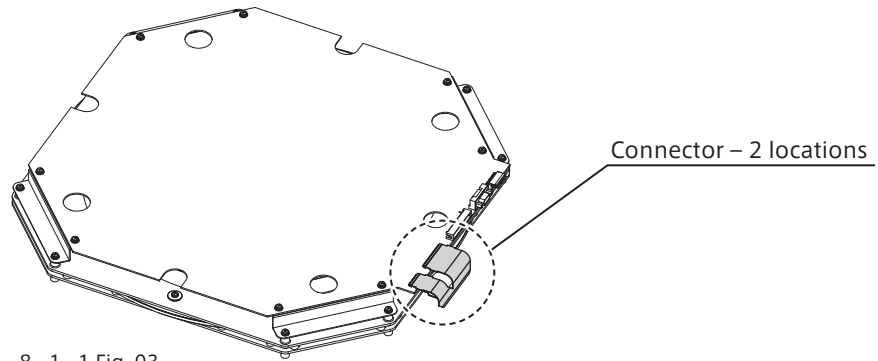
Remove the protect sheet. While supporting the target not to drop it, remove the four target nuts to remove the target from the target door. You should be able to remove the target nuts by hand. If they are tight, remove them using a wrench of 13 mm, pair of combination pliers or cutting pliers, or other tools.



8 - 1 - 1 Fig. 02

**STEP 4**

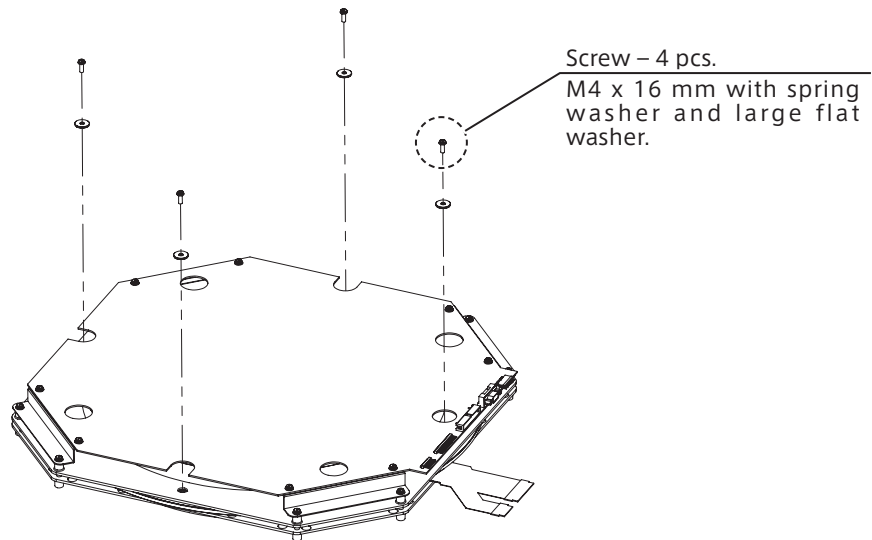
Place the target face down on a flat surface. Disconnect the two connectors of the membrane sheet.



8 - 1 - 1 Fig. 03

**STEP 5**

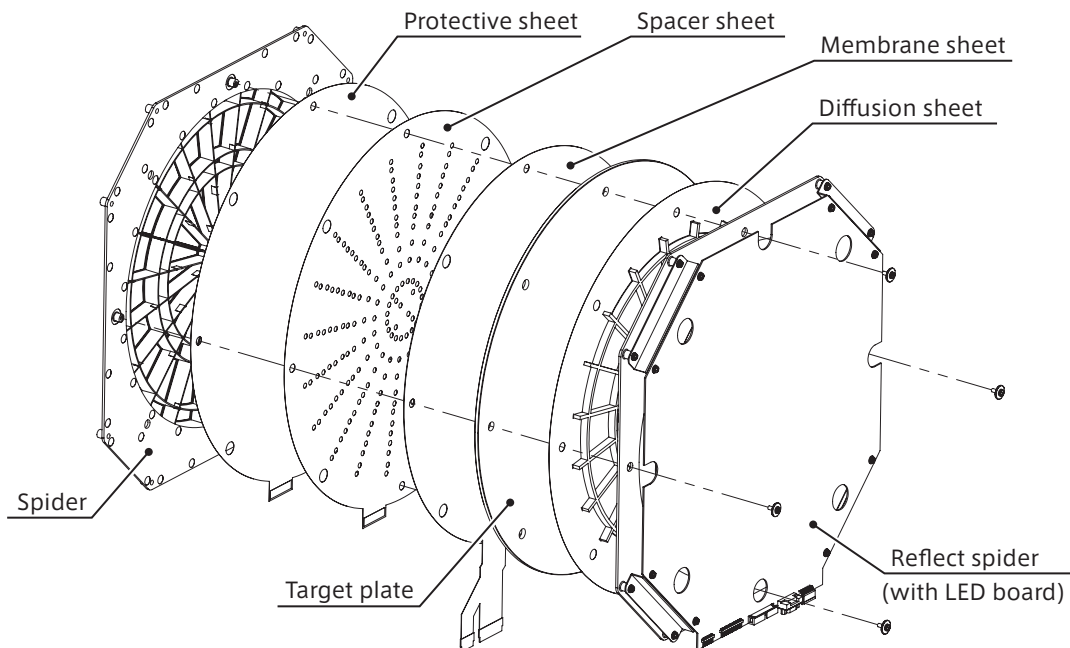
Remove the four screws from the target.



8 - 1 - 1 Fig. 04

**STEP 6**

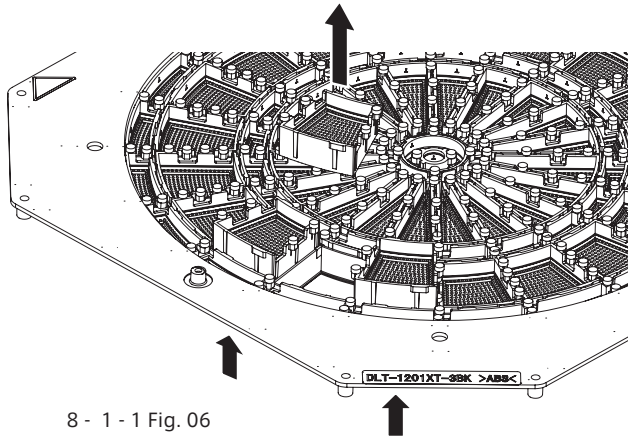
Remove the reflect spider, diffusion sheet, target plate, membrane sheet, spacer sheet, and protective sheet in this order. Place the removed parts on flat surface. Place the LED board with the reflect spider at the bottom. Be careful not to bend the membrane sheet.



8 - 1 - 1 Fig. 05

**STEP 7**

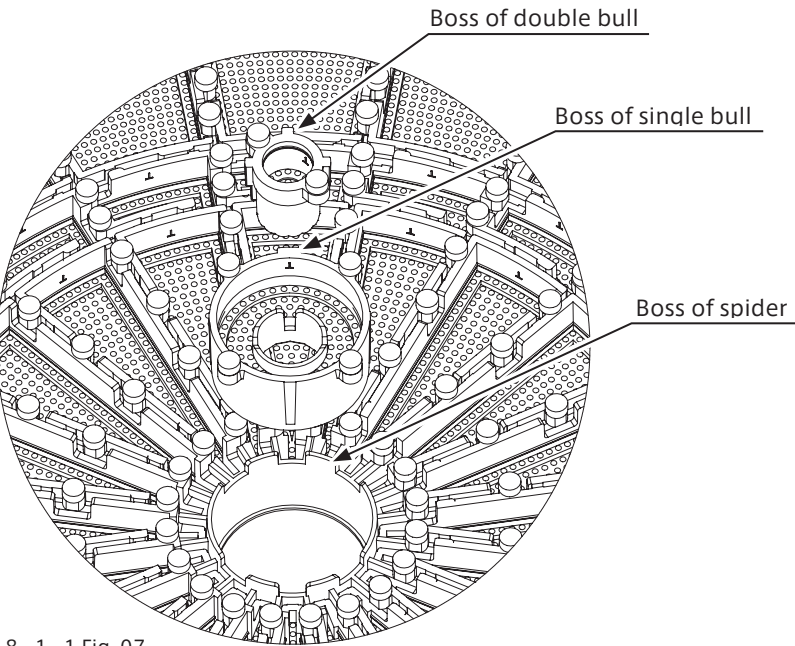
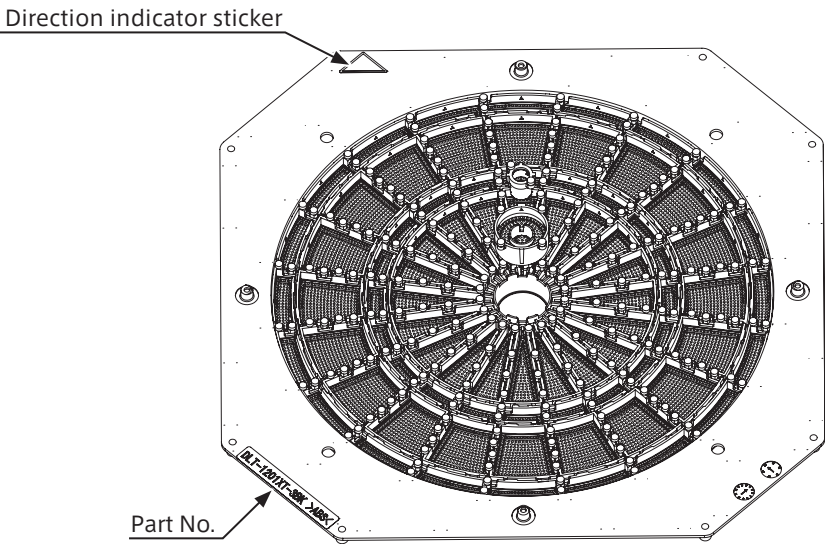
From back side of the spider, slightly lift the segments located on both sides of the segment you want to remove. Detach the desired segment.



8 - 1 - 1 Fig. 06

**STEP 8**

In the same way, mount the segment for replacement while lifting the segments on both sides. When mounting double bull or single bull, pay attention to the direction of the boss.



8 - 1 - 1 Fig. 07

- 1
- 2
- 3
- 4
- 5
- 6
- 7
- 8
- 9
- 10
- 11
- 12
- 13

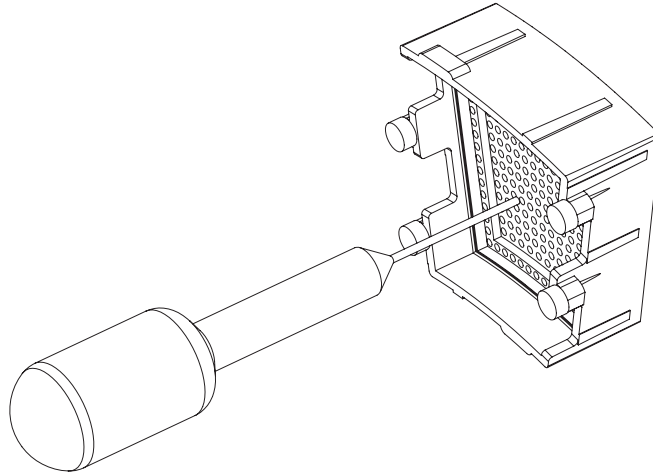
## ■ 8 - 1 - 2 Removing Tips Stuck in Segment

STEP  
1

Refer to "8-1-1 Replacing Segment" to remove the segments stuck with the broken tip of the darts.

STEP  
2

Using a pin with diameter of 1.5 mm or less, pull out the jammed tip by pushing it from back of the segment. Be sure to remove it by pushing in the pin from back of the segment. Not doing so may cause the segment to break.



8 - 1 - 2 Fig. 01

STOP

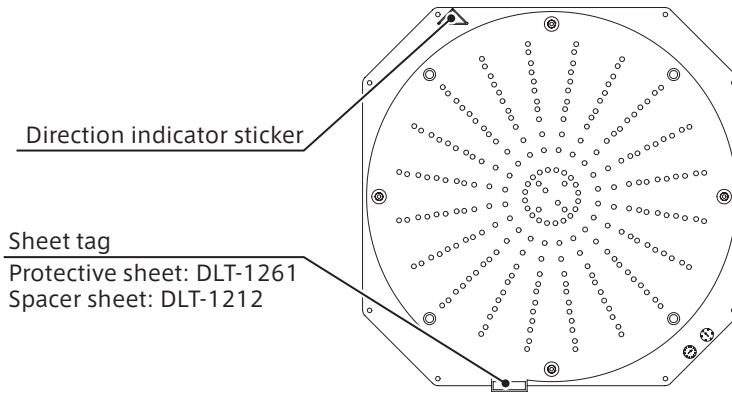
### IMPORTANT

For removal of a tip stuck in the outer board segment, refer to "8-12 Replacing Outer Board Segment " to remove the segment and pull out the tip in the same way as for the segment.

### ■ 8 - 1 - 3 Mounting Target

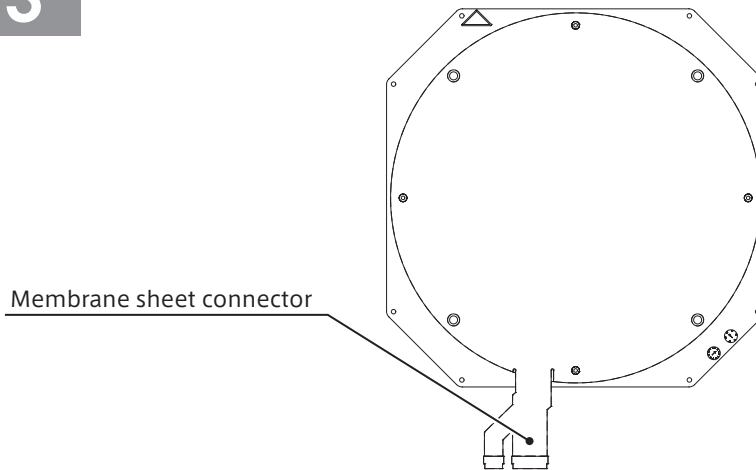
**STEP 1** Set the segment for replacement or segment removed with foreign objects (tips). Place the spider with the direction indicator sticker at the top.

**STEP 2** Set the protective sheet and then the spacer sheet, both on top of the spider so that their sheet tags are at the lower left. For the protective sheet and spacer sheet, their sheet tags have their part numbers. Be careful not to mistake the order.



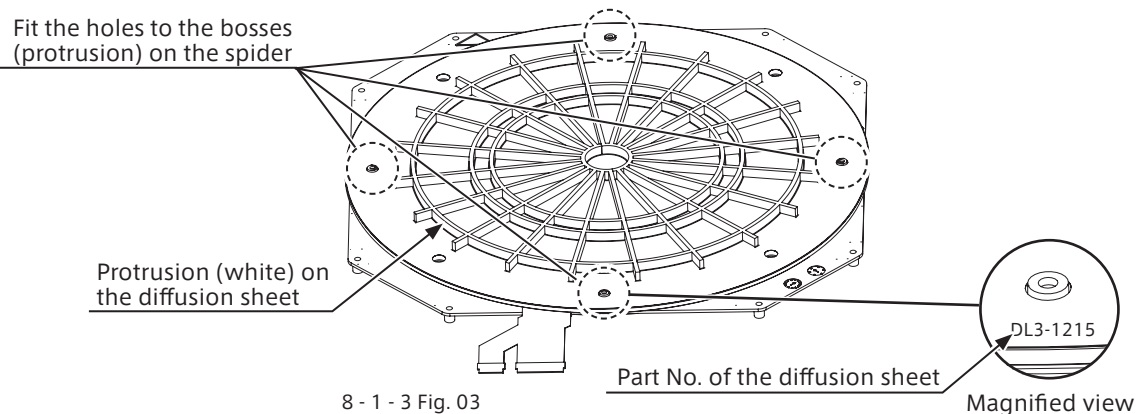
8 - 1 - 3 Fig. 01

**STEP 3** Set the membrane sheet so that the membrane sheet connector is at the lower left.



8 - 1 - 3 Fig. 02

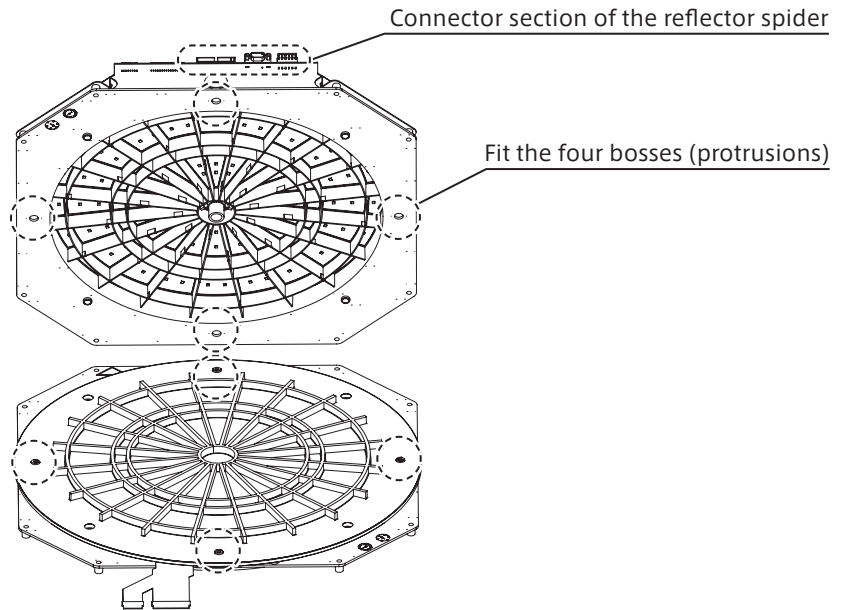
**STEP 4** Align the smaller hole of the target plate with the boss (protrusion) on the spider, and fit it in. Place the diffusion sheet on it, aligning their holes. While doing this, make sure that the protrusion (white) is on the upper side and the part number is on the lower side.



8 - 1 - 3 Fig. 03

STEP  
5

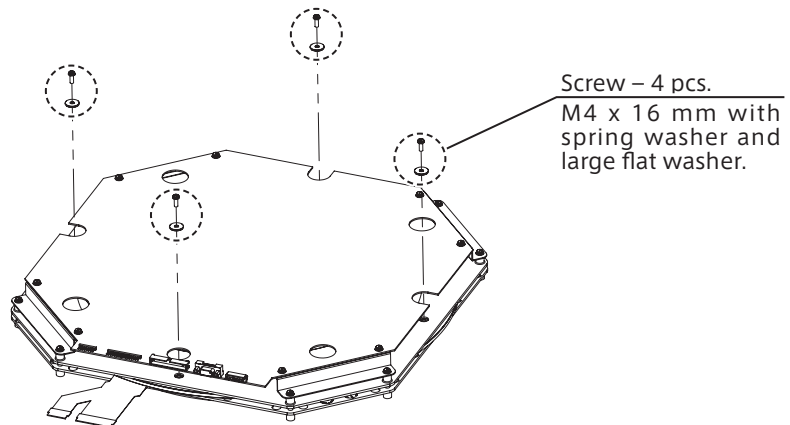
Align the connector section of the reflect spider to the connector section of the membrane sheet, fit and insert the four bosses (protrusion) of the spider.



8 - 1 - 3 Fig. 04

STEP  
6

Fix the target with four removed screws.



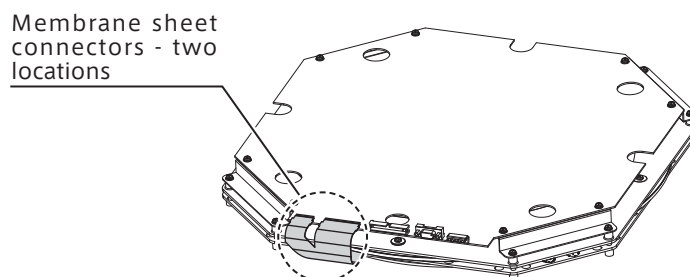
8 - 1 - 3 Fig. 05

**CAUTION**

Tightening the screws too much will damage the resin parts. Fix with the specified torque of 0.55 Nm or less (to the extent that the spring washer is crushed).

STEP  
7

Reconnect the two membrane sheet connectors.



8 - 1 - 3 Fig. 06

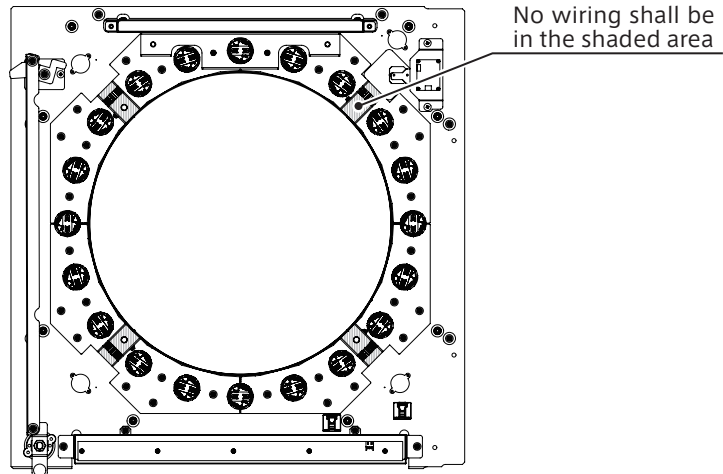
**STEP**  
**8**

Return the target onto the target door. Fix the four target nuts by hand. (See 8-1-1 Fig. 02)

**CAUTION**

When mounting the target onto the target door, be careful not to pinch the wiring of the number LED board or the impact sensor. It may cause malfunction or fire.

If wiring is placed in the shaded area, it will be pinched. Mount the target onto the target door after confirming that there is no wiring in the shaded area.

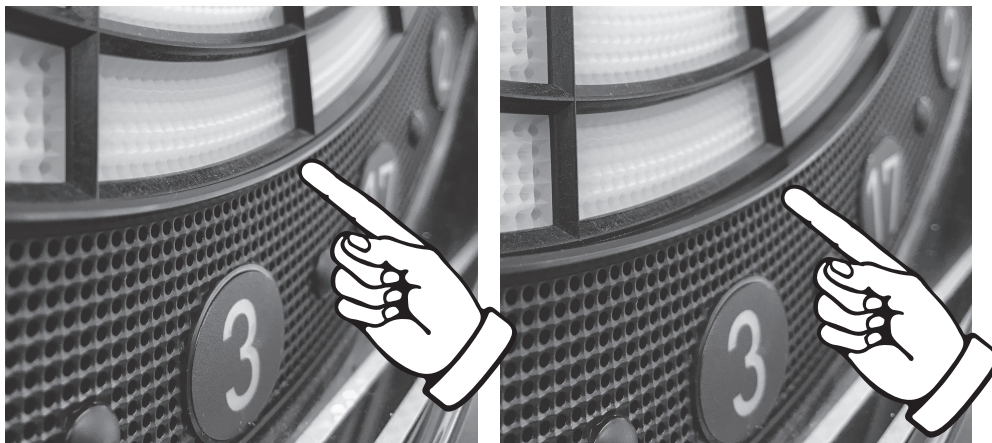


**CAUTION**

Set a target properly.

If the target is not in the correct position or inserted properly, the target sensor will not work correctly and the door or board may be damaged.

Make sure the outer board segment and the target are even.



○ Correct Position (No gap)  
Target is pushed in all the way.

× Incorrect Position (With gap)  
Target is NOT pushed in all the way.

**STEP**  
**9**

Connect the three connectors on the target. (See 8-1-1 Fig. 01)



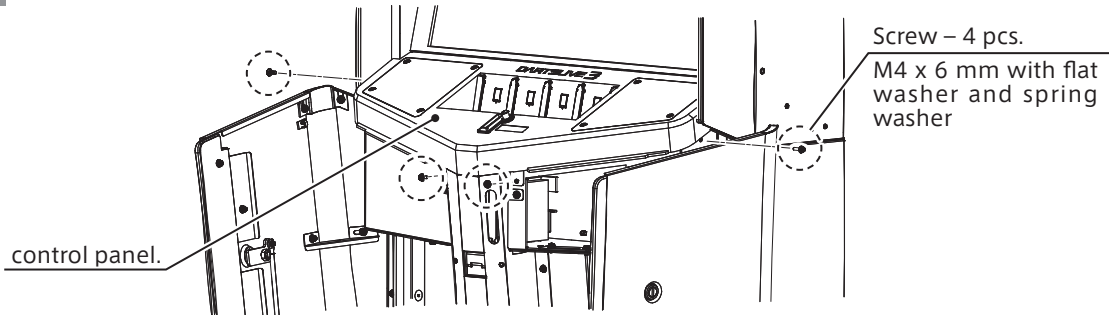
## 8 - 2 Replacing Card Reader Sensor

STEP  
1

Turn "OFF" the power switch. Unlock and open the lower doors (L and R) with the maintenance key and coin chute key.

STEP  
2

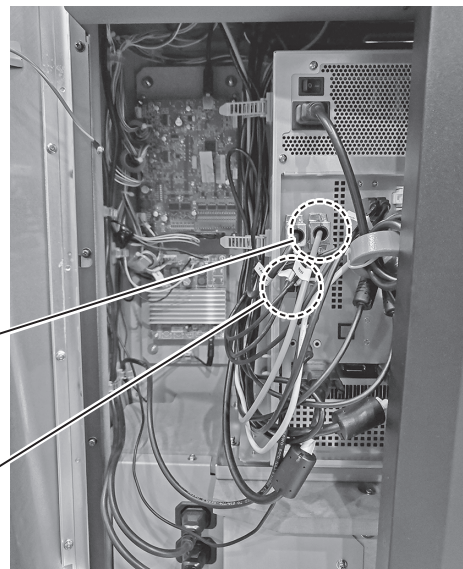
Remove the four screws securing the control panel.



8 - 2 Fig. 01

STEP  
3

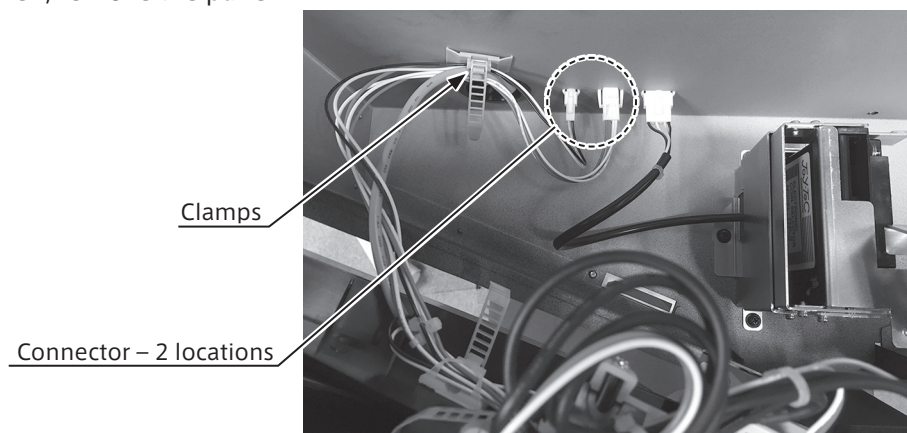
Remove the COM cable (R/W) connected to the PC unit and, if the unit has DARTSLIVE Credit Unit, the USB cable (DLCR).



8 - 2 Fig. 02

STEP  
4

Lift up the control panel, remove the clamp, and disconnect and remove the two connectors. Then, remove the panel.

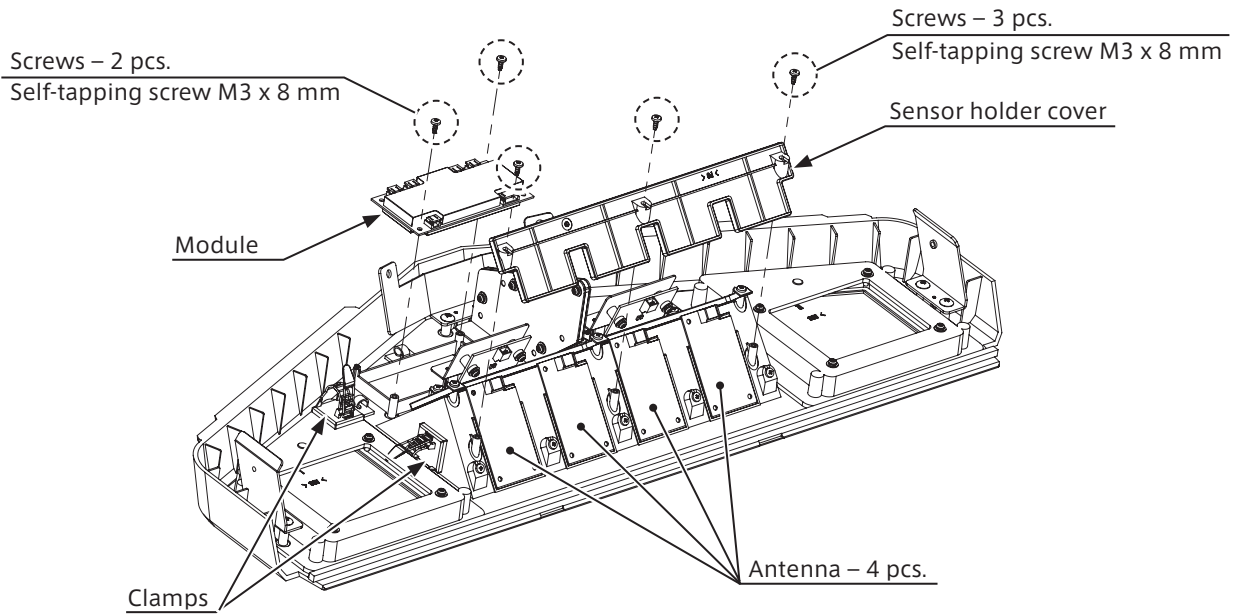


8 - 2 Fig. 03



**STEP**  
**5**

Remove the three screws and remove the sensor holder cover. Disconnect the connector of the wiring of the module. After removing the two screws and the clamp that secures the wiring, remove the module and antenna. Replace them with new module and antenna, and reassemble them in the reverse order.



8 - 2 Fig. 04

1

2

3

4

5

6

7

8

9

10

11

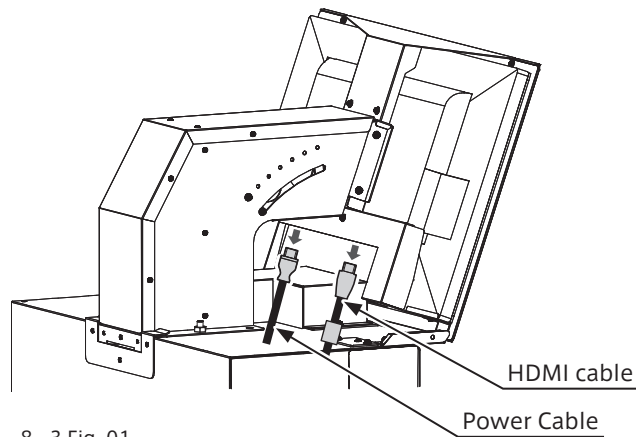
12

13

## 8 - 3 Replacing Upper Monitor

STEP  
1

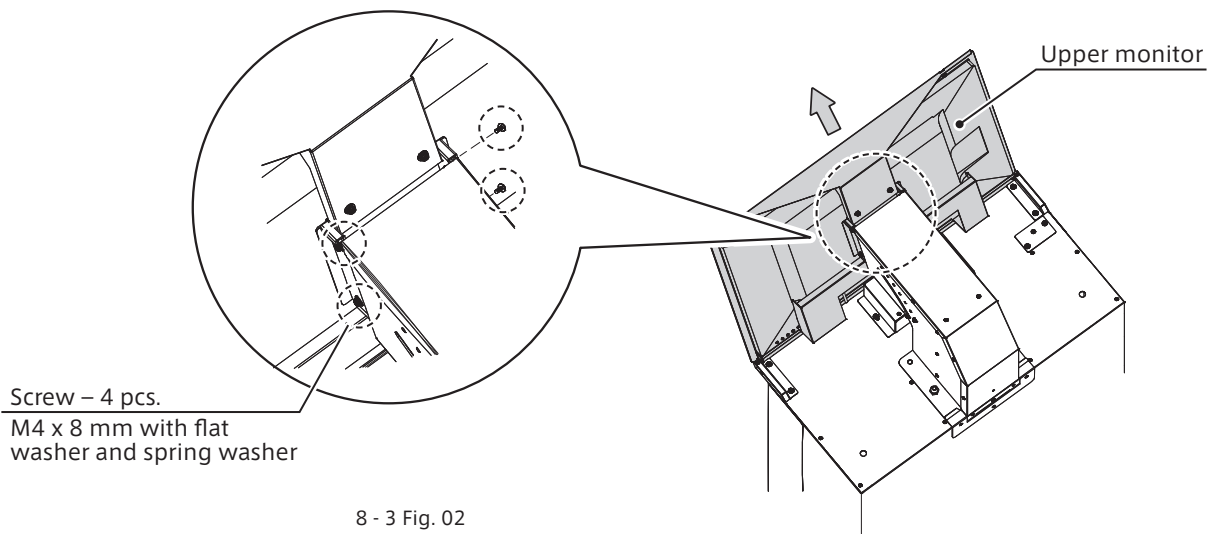
Turn "OFF" the power switch and disconnect the power cable and HDMI cable from the upper monitor.



8 - 3 Fig. 01

STEP  
2

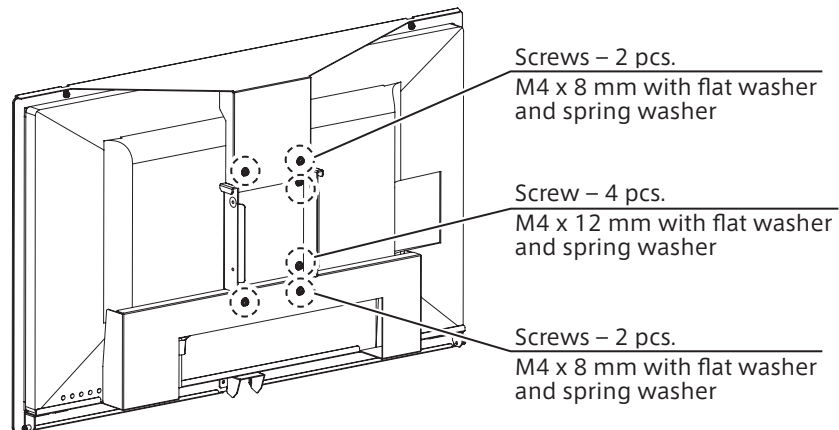
Remove the four screws securing the center part of the upper monitor and the stand. Remove the upper monitor upward.



8 - 3 Fig. 02

STEP  
3

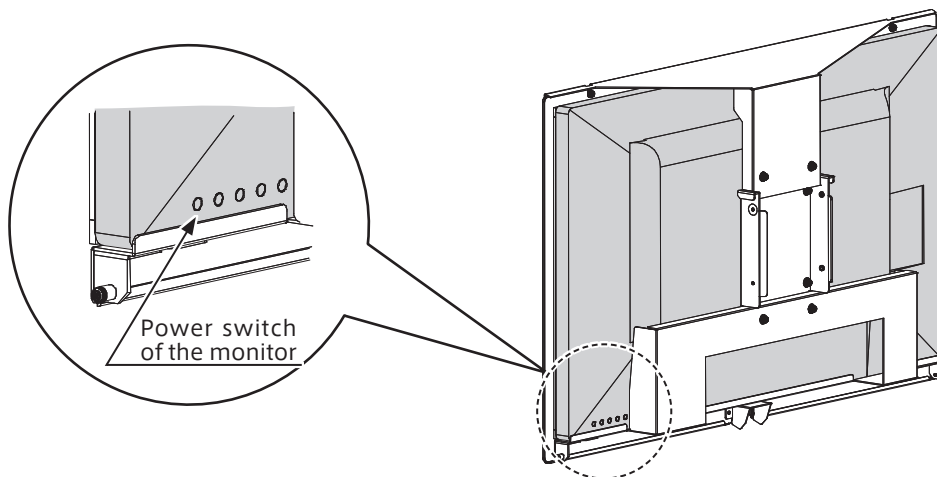
Remove the six screws and remove the monitor.



8 - 3 Fig. 03

**STEP**  
**4**

Reassemble the upper monitor in reverse order. As soon as you turn "ON" the power switch on the main unit, press the power switch (the leftmost switch) on the monitor.



8 - 3 Fig. 04

**STOP** **IMPORTANT**

- If you are using a different type of monitor than the one described above, please check the work procedure from the "Product Support Page" below.



<http://www.dartslive.jp/info/support/>

1

2

3

4

5

6

7

8

9

10

11

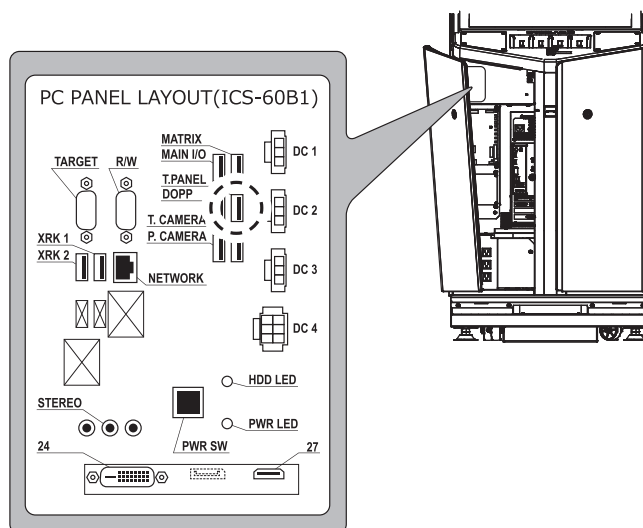
12

13

## 8 - 4 Replacing Lower Touch Screen Monitor

### STEP 1

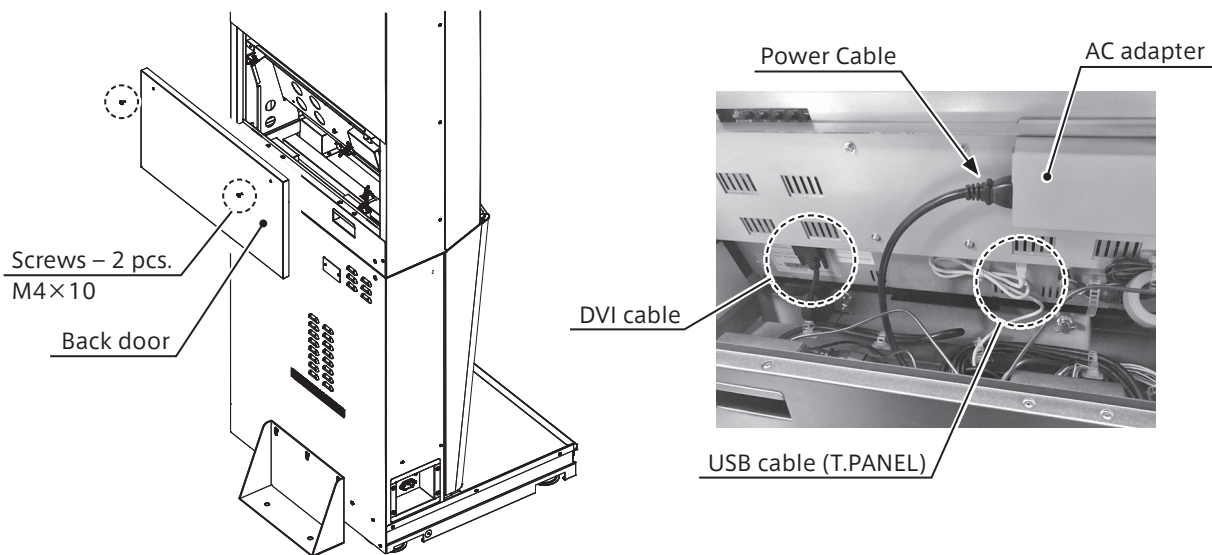
Turn "OFF" the power switch. Unlock with the maintenance key and open the lower door (L). Then disconnect the USB cable (T.PANEL) connected to the PC unit and remove it from the clamp so that it can be lifted up to the upper cabinet.



8 - 4 Fig. 01

### STEP 2

Remove the two screws and open the back door. Pull up from the lower cabinet the USB cable (T.PANEL) which you disconnected from the PC unit. Then, disconnect the power cable connected to the AC adapter and remove it from the clamp. Next, disconnect the DVI cable connected to the touch panel monitor.



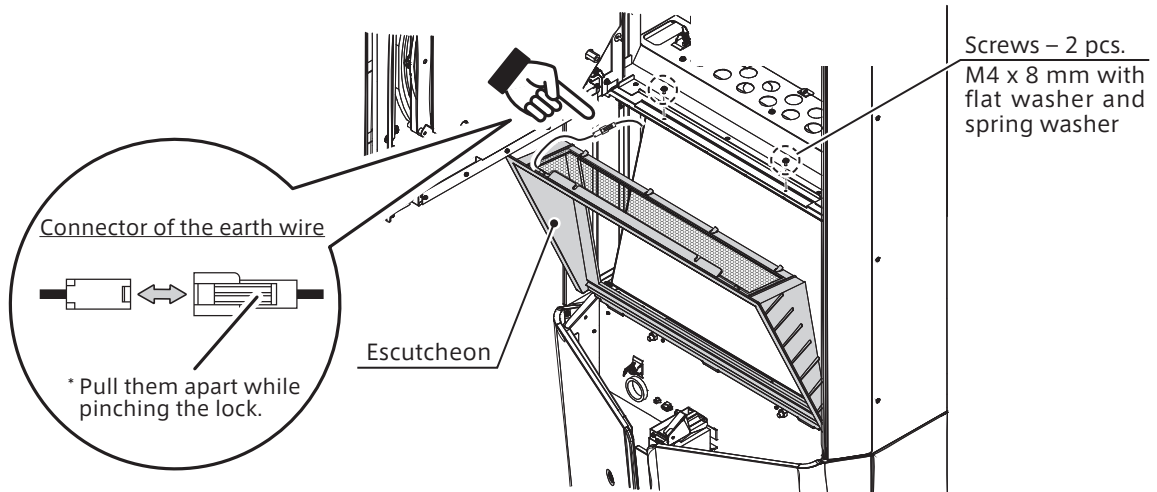
8 - 4 Fig. 02

### STEP 3

Refer to "8-2 Replacing Card Reader Sensor" and dismount the control panel.

**STEP**  
**4**

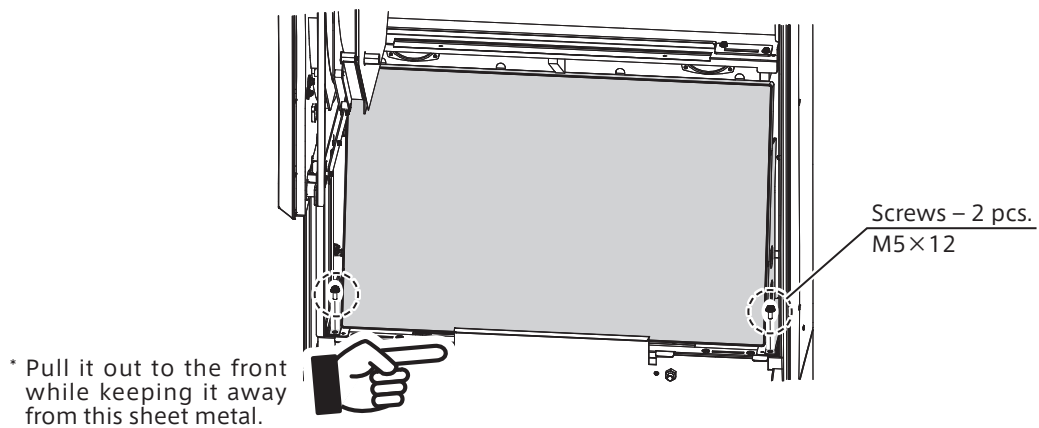
Remove the two screws at the top of the escutcheon, and slowly lift the escutcheon diagonally upward. Disconnect the connector of the earth wire, and remove the escutcheon.



8 - 4 Fig. 03

**STEP**  
**5**

Remove the two screws. Pull out the touch screen monitor, keeping it away from the sheet metal in front. If you have not been able to work from the back to perform STEP2, do that now. In that case, work with two or more persons.



8 - 4 Fig. 04

1

2

3

4

5

6

7

8

9

10

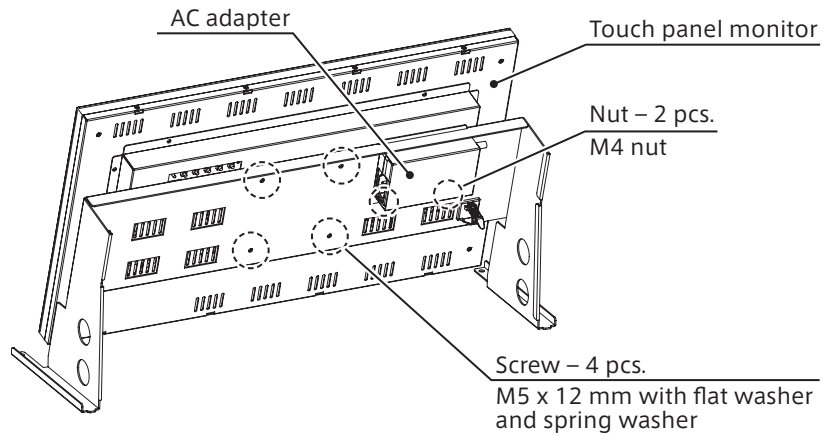
11

12

13

**STEP**  
**6**

Remove the four screws and remove the touch screen monitor. After replacing it with a new touch panel monitor, reassemble them in the reverse order.



8 - 4 Fig. 05

**STOP** **IMPORTANT**

- If the screens on the upper and lower monitors have been switched after replacing the monitor, switch between the monitor and the operation monitor by referring to "5 Maintenance Menu " in OWNERS MANUAL.
- When replacing the AC adapter, use the ferrite core attached to the cable, replacing it onto the same position and in the same manner as it was.

## 8 - 5 Coin Selector

(There are some units such as those for China, which were manufactured on specification without coin selector.)

### Addressing coin jamming

If a coin did not return by pressing the return button, open the lower door (R) and dismount the coin selector. Remove the coin stuck in the gate. Insert a normal coin and check that the selector works correctly.

### Cleaning coin selector

Clean the coin selector every three months. Follow the procedure below for cleaning.

## STOP IMPORTANT

- Dip a soft cloth in water or neutral detergent, and squeeze it tight before the cleaning.
- Never use machine oil or the like on coin selector.
- After maintenance of the coin selector, insert normal coin under normal use condition to check that the selector works correctly.

### 8 - 5 - 1 Cleaning and replacing the coin selector

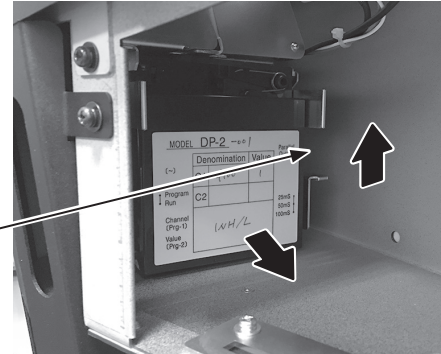
STEP  
1

Turn "OFF" the power switch. Unlock and open the lower door (R) with the coin chute key.

STEP  
2

Pull out the coin selector while raising the lever.

Lever



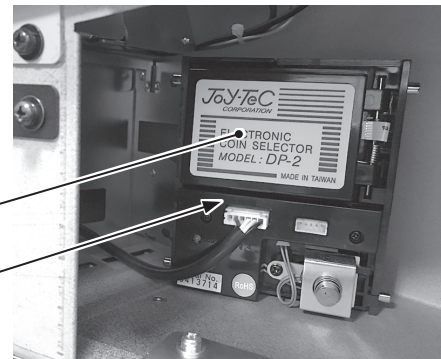
8 - 5 Fig. 01

STEP  
3

Disconnect the connector connected to the back and dismount the coin selector. Then, open the gate and perform cleaning. Replace it if it malfunctions.

Gate

Connector



8 - 5 Fig. 02

### Coin insertion test

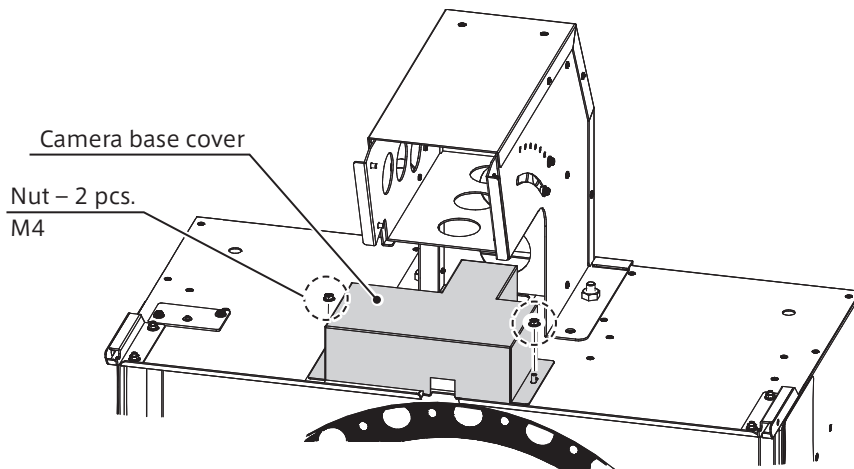
Once a month, test the coin switch and check the following at the same time.

- Does the coin meter count properly?
- Does the coin fall into the cash box properly?
- Does the coin inserted while pressing the return button return to the return slot?

## 8 - 6 Adjusting Target Camera

### STEP 1

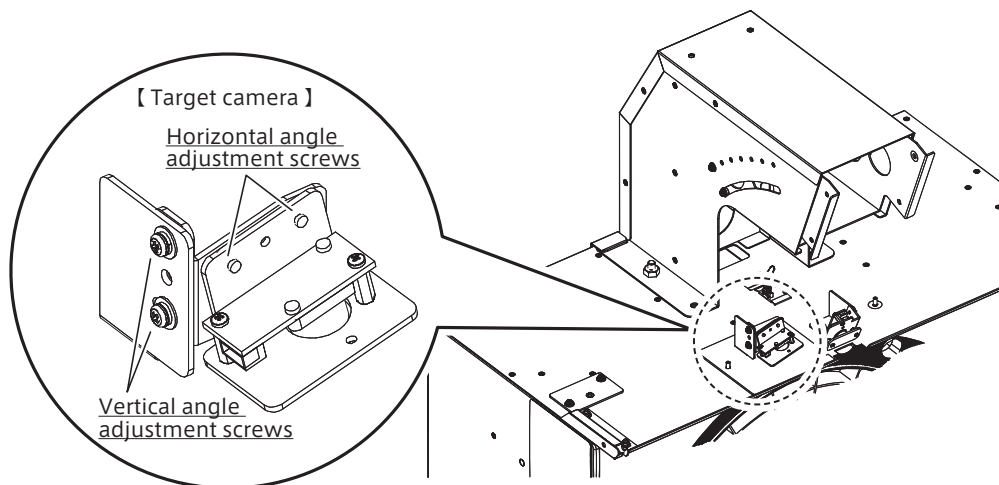
Turn "OFF" the power switch. Refer to "8-3 Replacing Upper Monitor" and disconnect the power cable and HDMI cable from the upper monitor. Remove the two nuts and dismount the camera base cover.



8 - 6 Fig. 01

### STEP 2

Loosen the two adjustment screws and make adjustment. Tighten the screws to fix it. After the adjustment, reassemble them in the reverse order.



8 - 6 Fig. 02

### STOP IMPORTANT

If the images from the player camera and the target camera have been switched after replacing the camera, refer to "5-1-2 Selecting Camera" in OWNERS MANUAL to switch between their displays.



## 8 - 7 Adjusting Player Camera

STEP

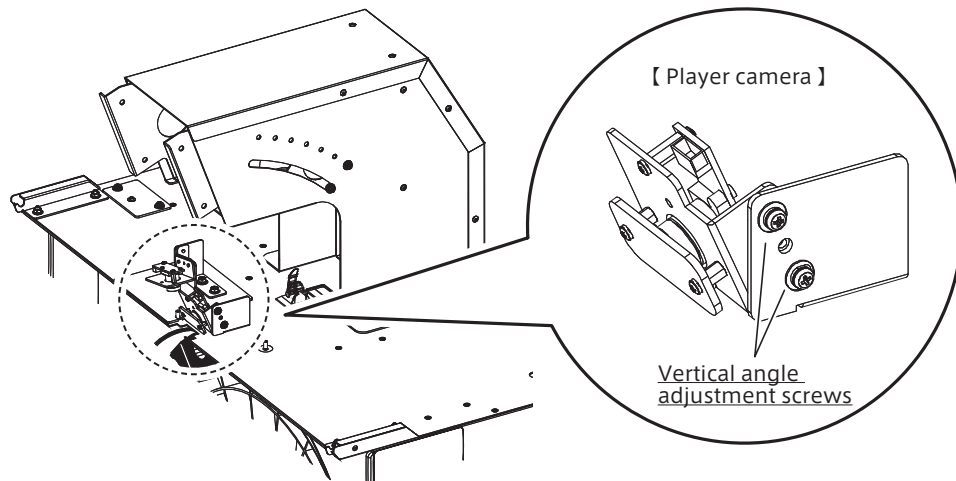
1

Refer to "8-6 Adjusting Target Camera" and remove the camera base cover.

STEP

2

Loosen the two adjustment screws and make adjustment. Tighten the screws to fix it. After the adjustment, reassemble them in the reverse order.



8 - 7 Fig. 01

STOP

**IMPORTANT**

If the images from the player camera and the target camera have been switched after replacing the camera, refer to "5-1-2 Selecting Camera" in OWNERS MANUAL to switch between their displays.

1

2

3

4

5

6

7

8

9

10

11

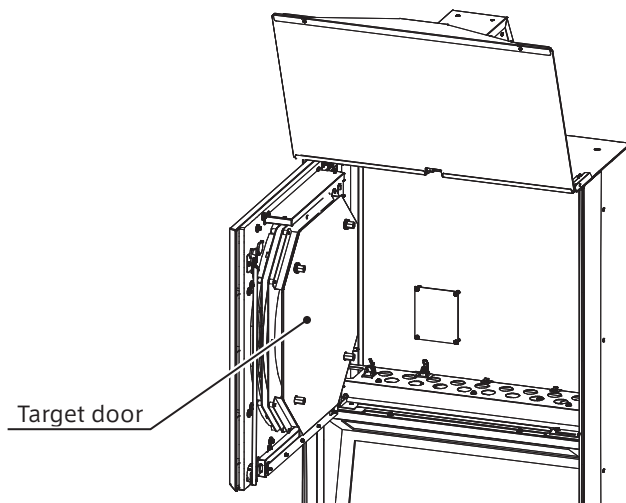
12

13

## 8 - 8 Replacing Sensor Cover and Sensor Cover Cylinder

### STEP 1

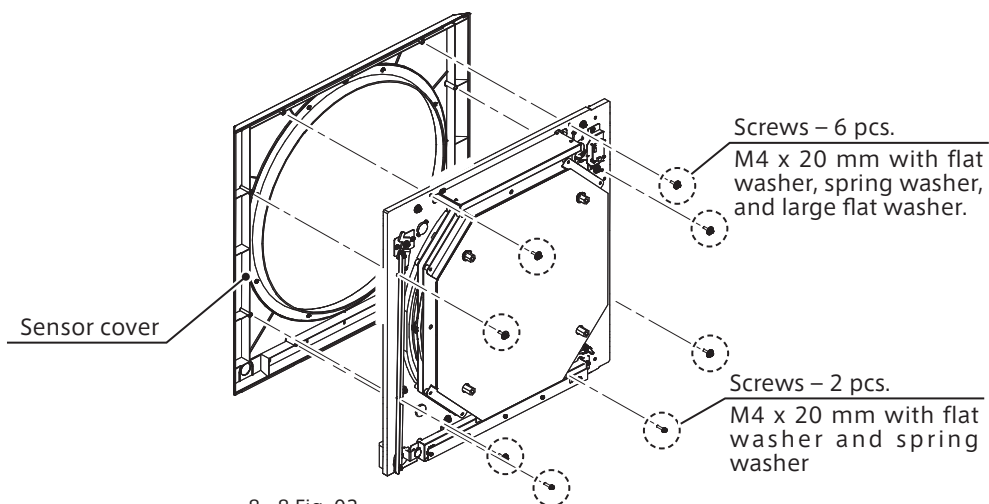
Turn "OFF" the power switch. Open the target door with the maintenance key.



8 - 8 Fig. 01

### STEP 2

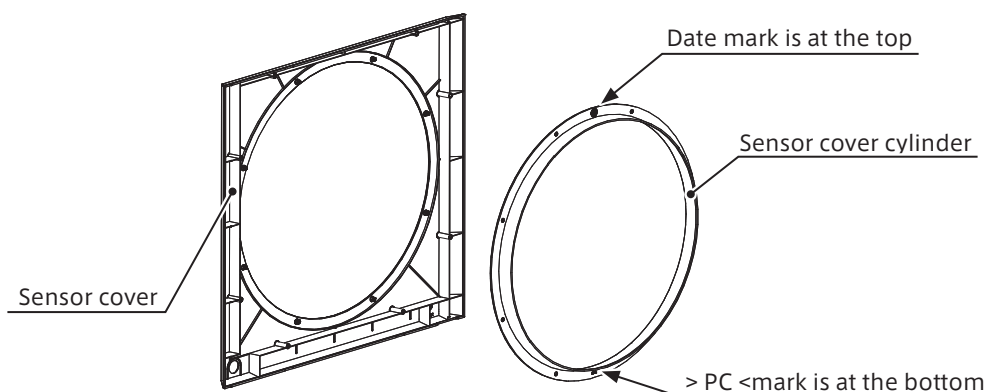
Remove the eight screws from the sensor cover from back of the target door. While doing this, hold the sensor cover firmly to avoid dropping it.



8 - 8 Fig. 02

### STEP 3

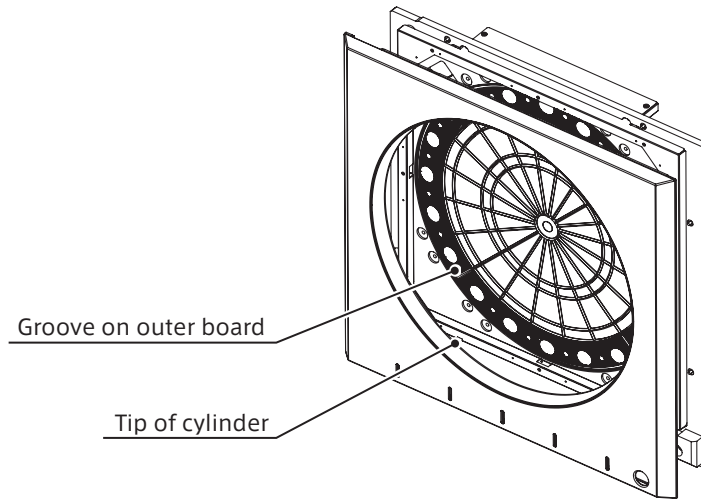
The sensor cover cylinder is fixed to the sensor cover with double-sided tape. Peel off and replace it. When replacing, mount the sensor cover cylinder so that the date mark is at the top.



8 - 8 Fig. 03

**STEP**  
**4**

When you have completed the replacement, reassemble them in the reverse order. When reassembling them, make sure that the tip of the cylinder fits securely into the groove on the outer board. The target sensor may not work if it is lifted from the groove or gets on the outer board.



8 - 8 Fig. 04

1

2

3

4

5

6

7

8

9

10

11

12

13

## 8 - 9 Replacing Target Sensor

STEP

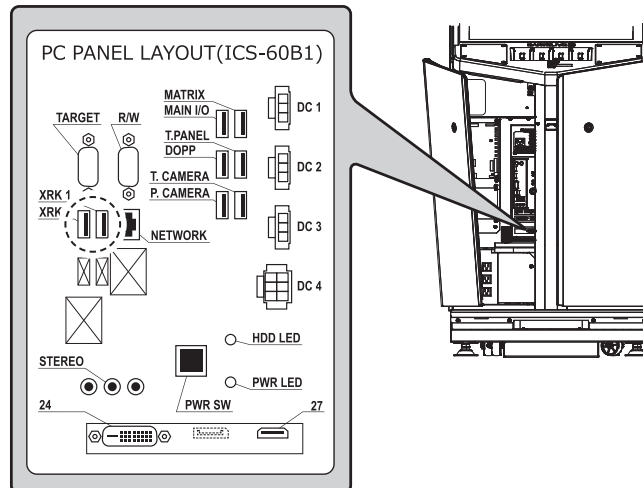
1

Turn "OFF" the power switch. Open the lower door (L) with the maintenance key.

STEP

2

Disconnect the two USB cables (XRK1 and XRK2) connected to the PC unit. Remove them from the clamp and pull up to the target sensor.



8 - 9 Fig. 01

STEP

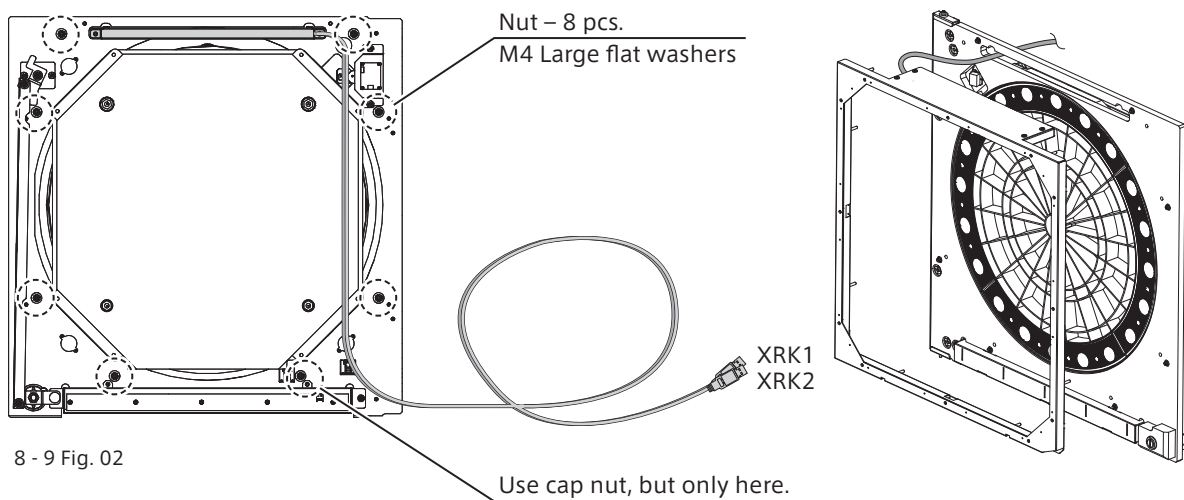
3

Refer to "8-8 Replacing Sensor Cover and Sensor Cover Cylinder" and remove the sensor cover.

STEP

4

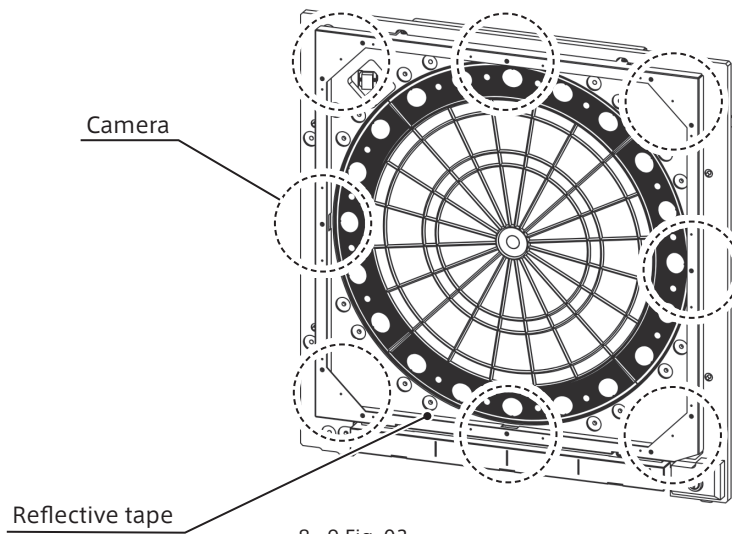
Remove the eight nuts fixing the target sensor from back of the target door. Remove the target sensor to the front, and replace it. When you have completed the replacement, reassemble them in the reverse order. When reassembling them, be careful not to overtighten the nuts.



8 - 9 Fig. 02

**STEP**  
**5**

Refer to "5-1-3-1 Target Sensor" in OWNERS MANUAL and calibrate the target sensor. After conducting the calibration, conduct a reaction test for confirmation.



**STOP** **IMPORTANT**

The target sensor may not work if there is dust or uncleanness on its camera (indicated by eight dotted circles) and the reflective tapes on the four sides. The camera and reflective tapes are precision instruments. If you spotted dust or uncleanness on them and touched them directly or wiped them away, it may cause failure. Remove them with air duster, etc.

1

2

3

4

5

6

7

8

9

10

11

12

13

## 8 - 10 Replacing Speed Sensor

**STEP 1** Turn "OFF" the power switch. Open the target door with the maintenance key.

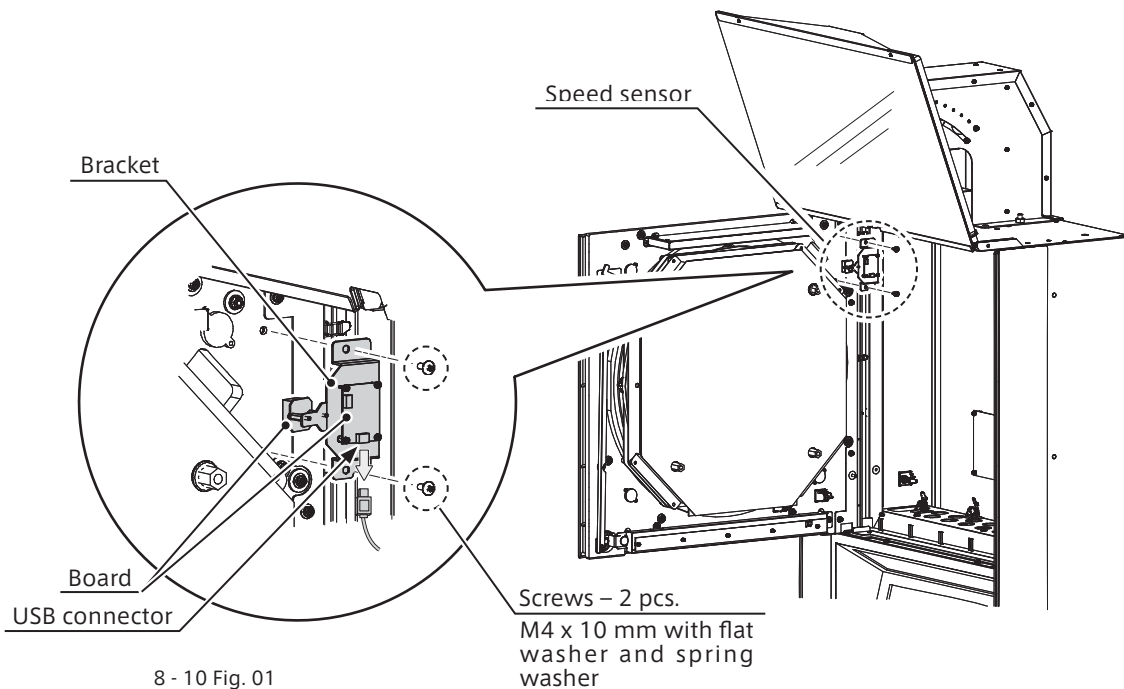
**1**

**STEP 2** From the back of the target door, disconnect the USB connector connected to the speed sensor. Remove the two screws and dismount the speed sensor together with the bracket.

**2**

**STEP 3** Remove the speed sensor and the board from the bracket and replace them. When you have completed the replacement, reassemble them in the reverse order.

**3**



### CAUTION

If you pull out or insert the USB cable forcibly or at some angle, you may damage the connector.  
Be careful when attaching and detaching them.

### IMPORTANT

If multiple units are installed, the frequency bands of the sensors will be close to each other and may interfere with each other, which may cause an error in the environmental test or cause an error.  
In that case, it may be improved by increasing the distance from the other machine or replacing the sensor with another machine.

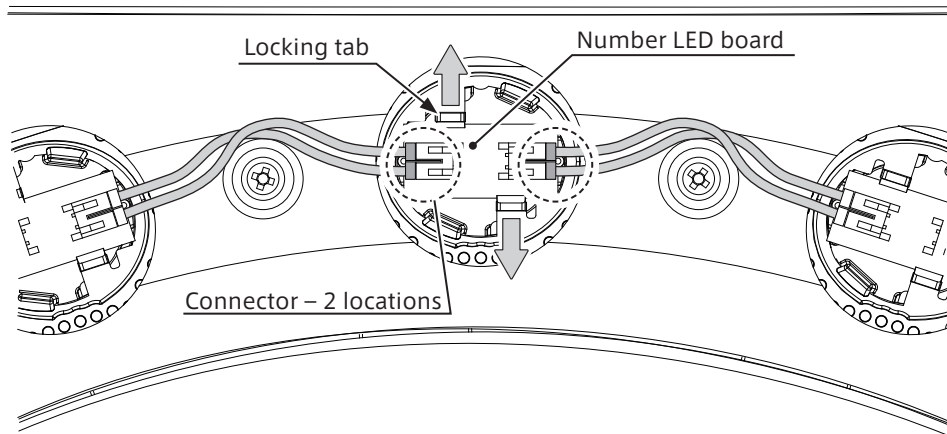
## 8 - 11 Replacing Number LED Board

**STEP**  
**1**

Refer to "8-1-1 Replacing Segment" and dismount the target.

**STEP**  
**2**

Disconnect the connectors on the left and right. Open the two locking tabs and remove the number LED board. When you have completed the replacement, reassemble them in the reverse order.

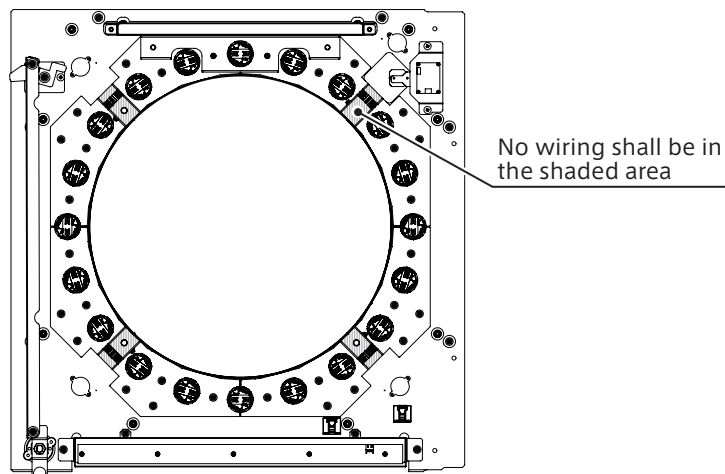


8 - 11 Fig. 01

### CAUTION

When mounting the target onto the target door, be careful not to pinch the wiring of the number LED board or the impact sensor. It may cause malfunction or fire.

If wiring is placed in the shaded area, it will be pinched. Mount the target onto the target door after confirming that there is no wiring in the shaded area.



## 8 - 12 Replacing Outer Board Segment

STEP  
1

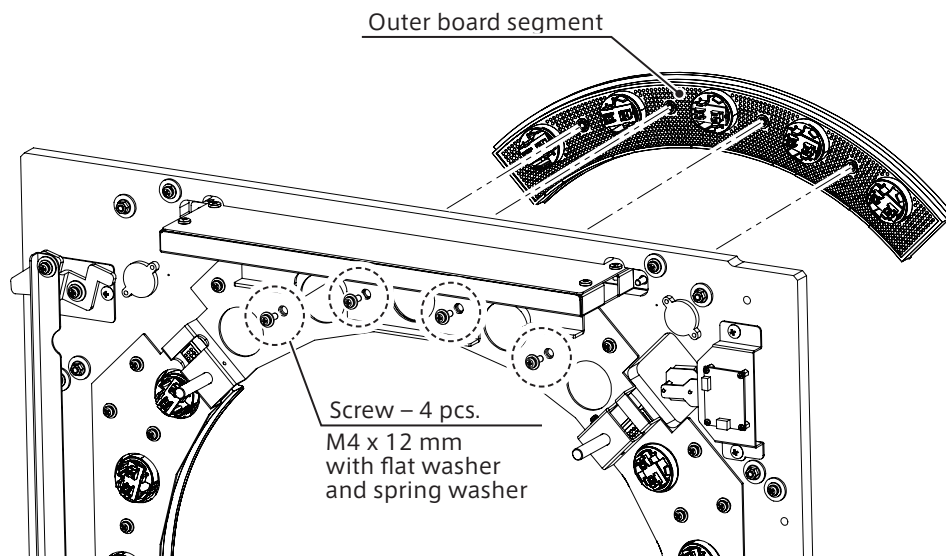
Refer to "8-8 Replacing Sensor Cover and Sensor Cover Cylinder" and remove the sensor cover.

STEP  
2

Refer to "8-11 Replacing Number LED Board" and remove the number LED board.

STEP  
3

Remove the four screws and dismount the outer board segment. After the replacement, reassemble in the reverse order.

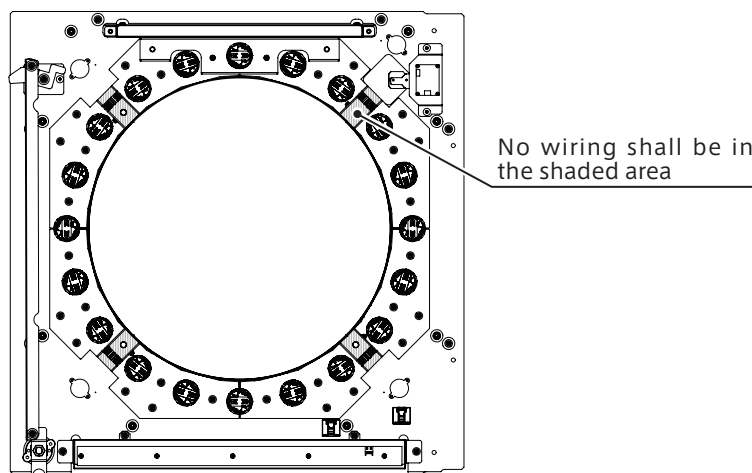


8 - 12 Fig. 01

### ⚠ CAUTION

When mounting the target onto the target door, be careful not to pinch the wiring of the number LED board or the impact sensor. It may cause malfunction or fire.

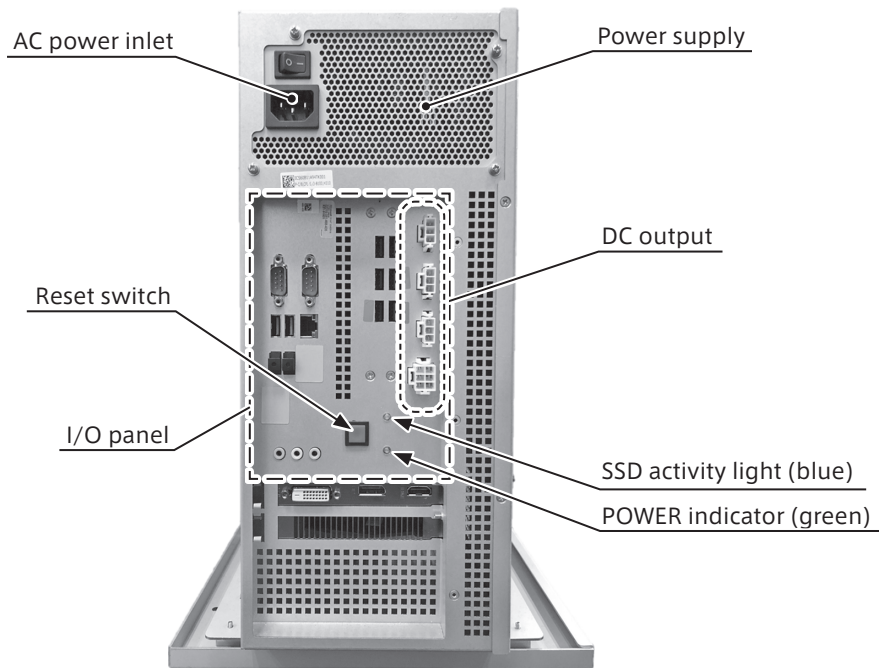
If wiring is placed in the shaded area, it will be pinched. Mount the target onto the target door after confirming that there is no wiring in the shaded area.





## 8 - 13 PC Unit

### ■ 8 - 13 - 1 Description of PC Unit



8 - 13 - 1 Fig. 01

### **STOP** IMPORTANT

Press and holding the reset switch on the PC unit shuts down the unit, and pressing it once starts the unit. In normal circumstance, you should use the power switch of the main unit only, and avoid using this switch.

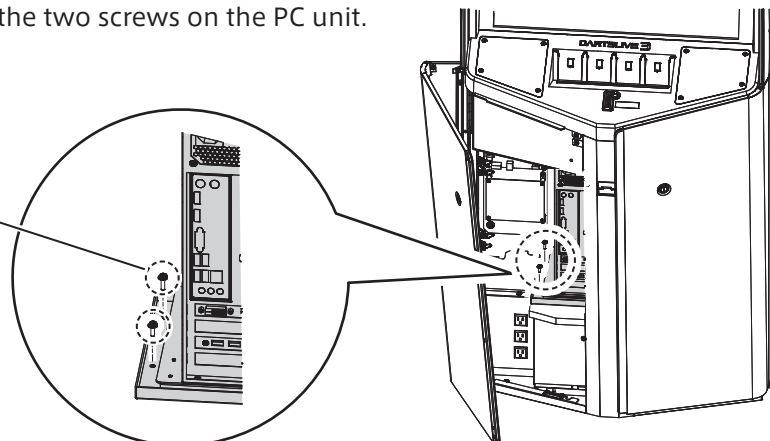
### ■ 8 - 13 - 2 Replacing PC Unit

**STEP 1** Turn "OFF" the power switch. Open the lower door (L) with the maintenance key.

**STEP 2** Disconnect all cables connected to the PC unit.

**STEP 3** Remove the two screws on the PC unit.

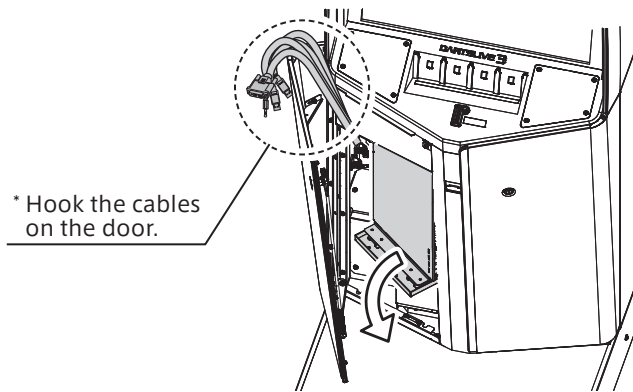
Screws – 2 pcs.  
M4 x 12 mm with  
flat washer and  
spring washer



8 - 13 - 2 Fig. 01

**STEP 4**

Hook the cables on the door so that they do not get in the way. Slowly pull out the PC unit to the diagonally front. When doing this, be careful not to damage the board or wire harness behind it.



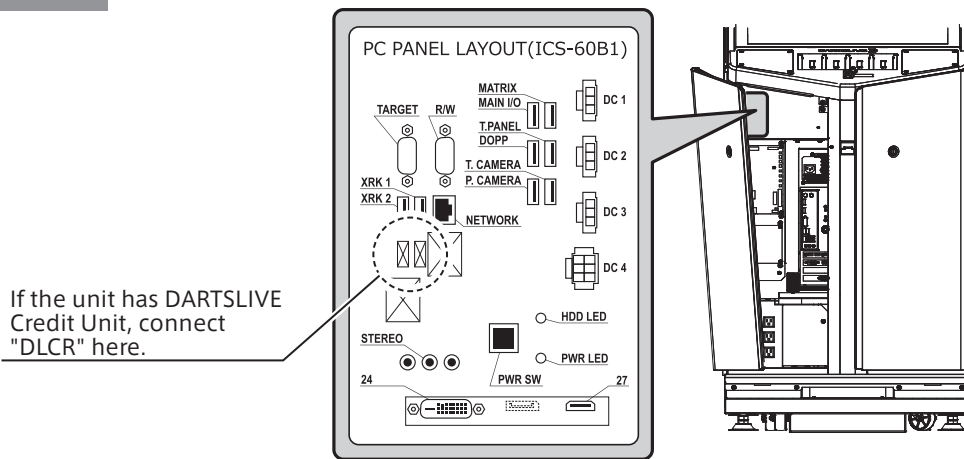
8 - 13 - 2 Fig. 02

**STEP 5**

Mount the new PC unit in the reverse order of that described in STEP 4. When doing this, be careful not to damage the board or wire harness behind it.

**STEP 6**

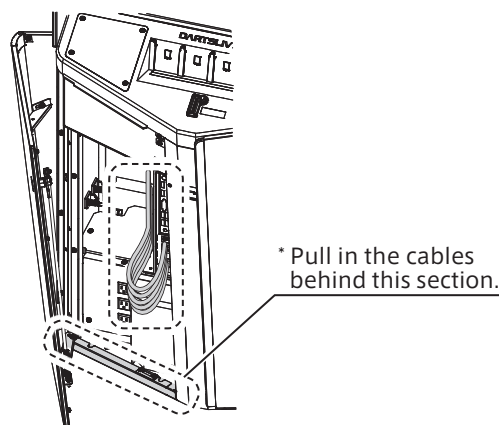
Look at the tag attached to each cable and connect the cables to the locations on the PC unit described in the "I/O Panel Layout" affixed to the lower cabinet, in order from the bottom.



8 - 13 - 2 Fig. 03

**STEP 7**

If the cables are placed too much in the front, they interfere with the lower door (L) when it opens and closes, causing damage or contact failure. When you connected all the cables, bundle them neatly, pull them to the back, and secure them with the clamps (at two locations) on the left side of the PC unit. Close and lock the lower door (L).



8 - 13 - 2 Fig. 04

## 9 Periodic Inspection

In order to maintain the performance of this product and to conduct business operation safely, regularly conduct inspection and maintenance on the following.

\* In particular, the periodic inspection of software is explained in another document, OWNERS MANUAL. Please refer to it also.

### WARNING

- Check the power cable every six months for any damages, if its plug is firmly inserted, or if it has dusts accumulated between the outlet and the power plug. Using it with dust left accumulated may cause fire or electric shock.
- Deterioration of the insulation of electronic and electrical components due to aging may cause accidents involving short-circuit or smoke. Check if there is any abnormality such as burning smell.

#### ■ Periodic inspection chart

Inspection point	Detail	Term	Reference
Cabinet	How the adjusters are landed.	Daily	6-1
Target	Removing jammed tips. *1	Monthly	8-1-2
	Inspection on the sensors.	Monthly, or when *1 is conducted.	OWNERS MANUAL 5-1
	Inspection for any missing rubber foot.	Every 3 months	8-1
	Inspection for wear on the rubber feet.	Every 3 months	8-1
	Cleaning the sensor cover cylinder.	Daily	8-8
Card reader	Inspection.	Every week	OWNERS MANUAL 5-1
Coin selector (There are some units such as those for China, which were manufactured on specification without coin selector.)	Inspection on the coin switch.	Monthly	8-5
	Coin insertion test	Monthly	8-5
	Cleaning coin selector	Every 3 months	8-5
Electronic/electric components	Inspection and cleaning.	Annually	
	Cleaning.	Every 6 months	
Power Cable	Inspection and cleaning.	Every 6 months	6-1
Upper monitor	Cleaning.	As needed	
Lower touch Screen monitor	Cleaning	As needed	
	Check for scratch or crack.	Daily	
Surfaces of the cabinet	Cleaning	As needed	

Note: To clean the sensor cover cylinder, wipe it with a dry soft cloth. If you use detergent, the transparency of the sensor cover cylinder will deteriorate and the unit may not work properly.

# 10 Troubleshooting

Description of trouble	Cause	Action to take
<b>Turning "ON" power switch does not start the unit.</b>	No power supplied.	Insert the power plug securely into the outlet. (Refer to 6-1.)
	Power supplied with incorrect voltage.	Supply power with correct voltage. (Refer to Chapter 3.)
	Momentary overload has activated the circuit protector.	Eliminate the cause of the overload and reconnect the circuit protector of the AC unit. (Refer to the circuit protector later in this chapter.)
	Power switch turned OFF.	Turn ON the power switch.
<b>The screen shows an error message.</b>	Software error or poorly connected connector.	Take note of the message on the screen and contact your product retailer.
<b>It does not output audio.</b>	Incorrect volume adjustment.	Adjust the volume in the maintenance mode. (Refer to 5-1 in OWNERS MANUAL.)
	Failure of speaker, woofer or amplifier.	Contact your product retailer.
<b>It outputs audio, but the monitor remains blank.</b>	Poorly connected connector.	Plug in the AC cable and video signal line firmly. (Refer to 6-1.)
	Failure of the LCD monitor.	Replace the LCD monitor. (Refer to 8-3 and 8-4.)
<b>The images on the upper and lower monitors are switched.</b>	This may occur when the monitors are replaced.	Switch their output in the maintenance mode. (Refer to Chapter 5 in OWNERS MANUAL.)
<b>There is some problem when inserting a coin. It returns the inserted coin.</b>	Poorly connected connector.	Check the connection of the connector. (Refer to 8-5.)
	Software configuration.	Configure the software properly in the maintenance mode. (Refer to 5-2 in OWNERS MANUAL.)
	Failure of the selector.	Replace the selector. (Refer to 8-5.)
<b>LEDs do not light up.</b>	Software configuration.	Configure the software properly in the maintenance mode. (Refer to 5-1 in OWNERS MANUAL.)
	Failure of the LED board.	Contact your product retailer.
<b>Camera not producing image.</b>	Poorly connected connector.	Check the connection of the USB cable and connectors. (Refer to 6-1.)
	Failure of the camera.	Replace the camera. (Refer to 8-6 and 8-7.)
<b>The images of the player camera and target camera are switched.</b>	This may occur when the cameras are replaced.	Switch their output in the maintenance mode. (Refer to Chapter 5-1 in OWNERS MANUAL.)
<b>Card reader not responding.</b>	Poorly connected connector.	Check the connection of the connector. (Refer to 6-1.)
	Failure of the card reader.	Replace the card reader. (Refer to 8-2.)

Description of trouble	Cause	Action to take
<b>Membrane switch not responding.</b>	Poorly connected connector.	Check the connection of the connector. (Refer to 6-1.)
	Failure of the membrane switch.	Replace the membrane switch. (Refer to 8-1.)
<b>Membrane switch responding incorrectly or with poor sensitivity.</b>	Target assembled improperly.	Assemble the target correctly. (Refer to 8-1.)
<b>Impact sensor not responding or over responding.</b>	Improperly adjusted sensitivity.	Configure the software properly in the maintenance mode. (Refer to 5-1 in OWNERS MANUAL.)
	Poorly connected connector.	Check the connection of the connector.
	Failure of the impact sensor.	Replace the impact sensor.
<b>Speed sensor not responding or incorrectly responding.</b>	Something affecting the sensor (air conditioner, ventilation fan, etc.) positioned unfavorably to the sensor.	Change the position and orientation of the machine. Install it at a position where it tests OK in the environmental test in the maintenance mode. (Refer to 5-1 in OWNERS MANUAL)
	Poorly connected connector.	Check the connection of the connector. (Refer to 6-1.)
	Failure of the speed sensor.	Replace the speed sensor. (Refer to 8-10.)
<b>Target sensor not responding.</b>	Unclean sensor cover cylinder or tip left on the target.	Clean the sensor cover. If there is tip left on it, remove it.
	Poorly connected connector.	Check the connection of the connector. (Refer to 6-1.)
	Deteriorated transparency of the sensor cover cylinder due to scratches, etc.	Replace the sensor cover cylinder. (Refer to 8-8.)
	Failure of the target sensor.	Replace the target sensor. (Refer to 8-9.)
<b>Target sensor not detecting correct position.</b>	Incorrect configuration.	After performing calibration in the maintenance mode, confirm it with input test. (Refer to 5-1 in OWNERS MANUAL.)
	Unclean sensor cover cylinder or tip left on the target.	Clean the sensor cover. If there is tip left on it, remove it.
	Deteriorated transparency of the sensor cover cylinder due to scratches, etc.	Replace the sensor cover cylinder. (Refer to 8-8.)
	Failure of the target sensor.	Replace the target sensor. (Refer to 8-9.)
<b>PC unit does not start.</b>	Poorly connected connector.	Check the connection of the connector. (Refer to 6-1.)
	Failure of the PC unit.	Replace the PC unit. (Refer to 8-13.)

For network or software troubles, refer to Chapter "6 Troubleshooting" in another document, "OWNERS MANUAL". Or, visit the following "Product Support Page".

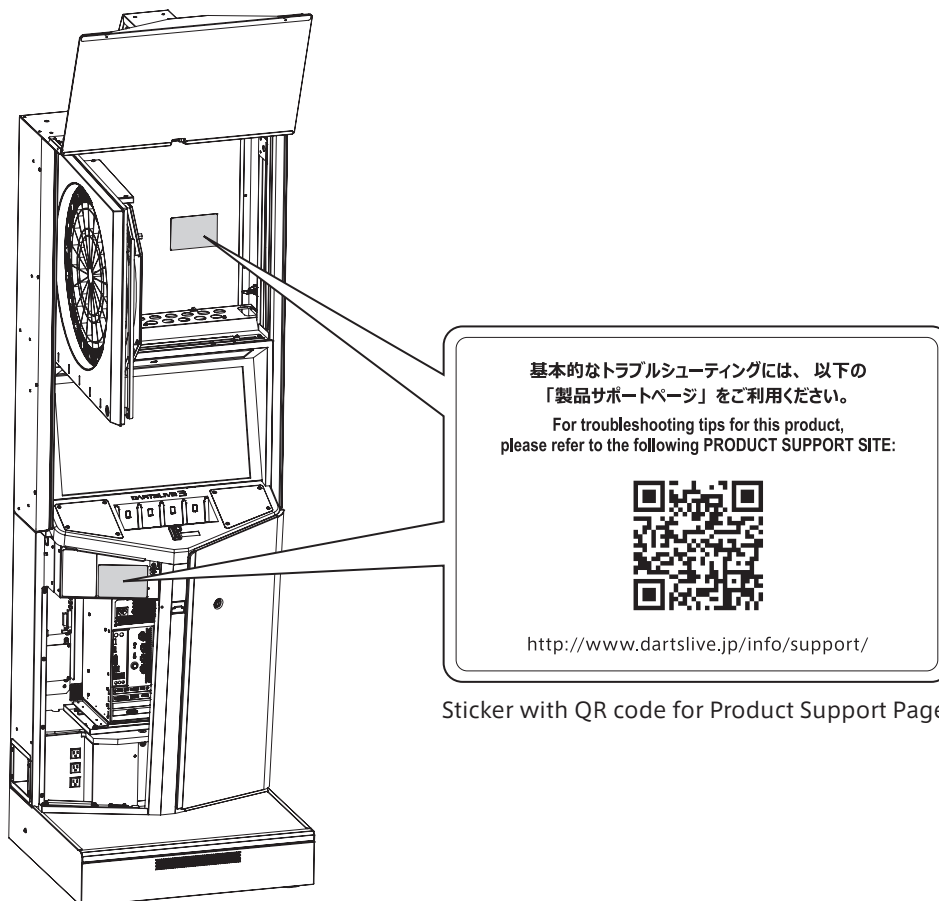


<http://www.dartslive.jp/info/support/>

## Circuit protector

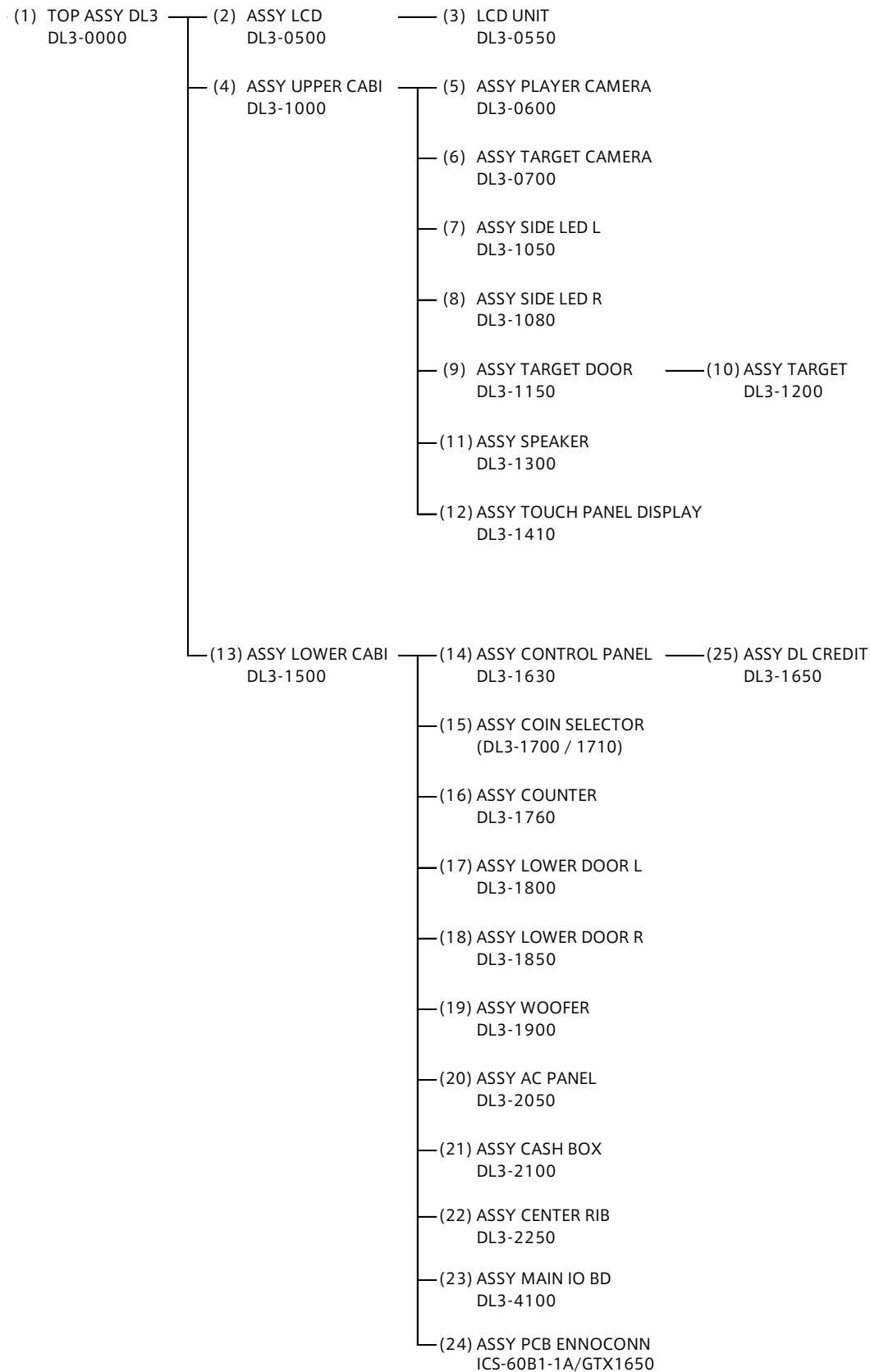
1 The circuit protector activates its bimetal to cut off the circuit. Therefore, it cannot be turned on again until the bimetal has cooled down. Wait at least one minute before start it up. (Turn the button "ON".)

- 2
- For basic troubleshooting, go to "Product Support Page" from the URL or QR code on the two stickers attached to the cabinet.



Sticker with QR code for Product Support Page

# 11 Parts List



1

2

3

4

5

6

7

8

9

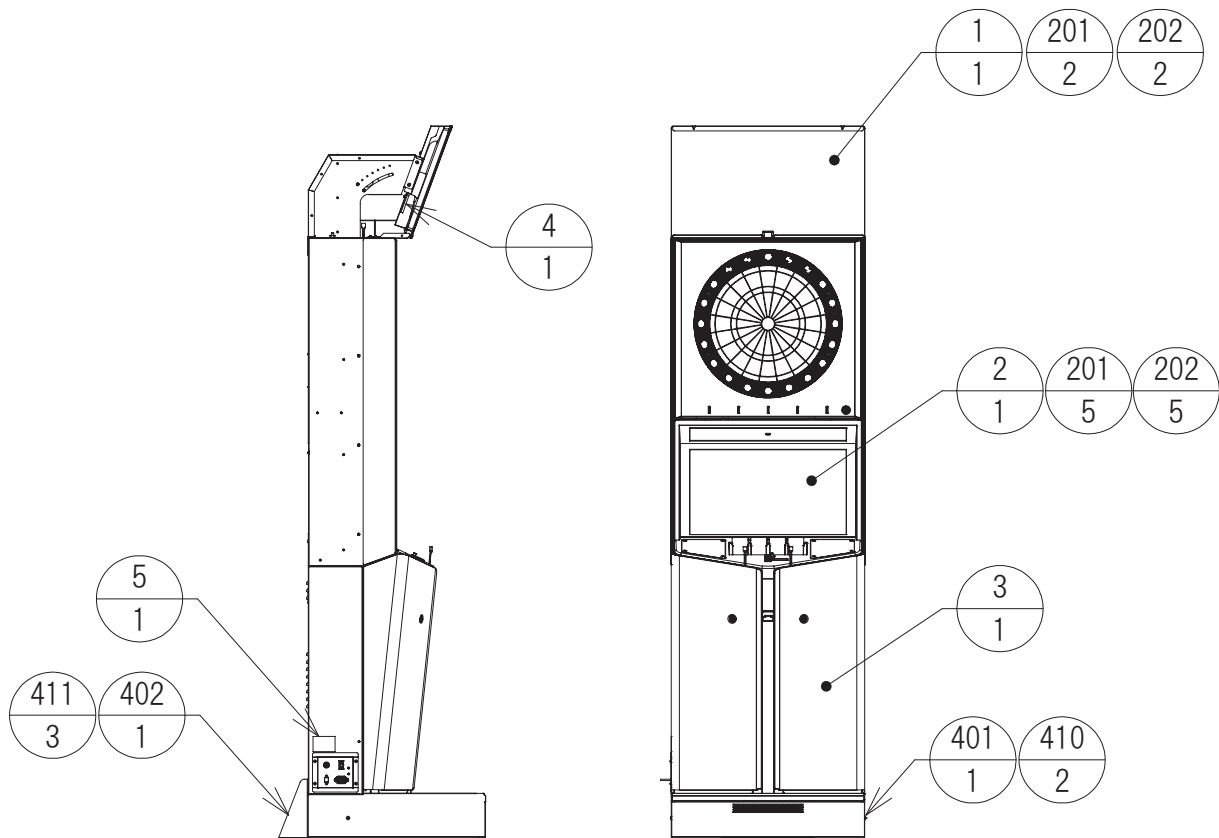
10

11

12

13

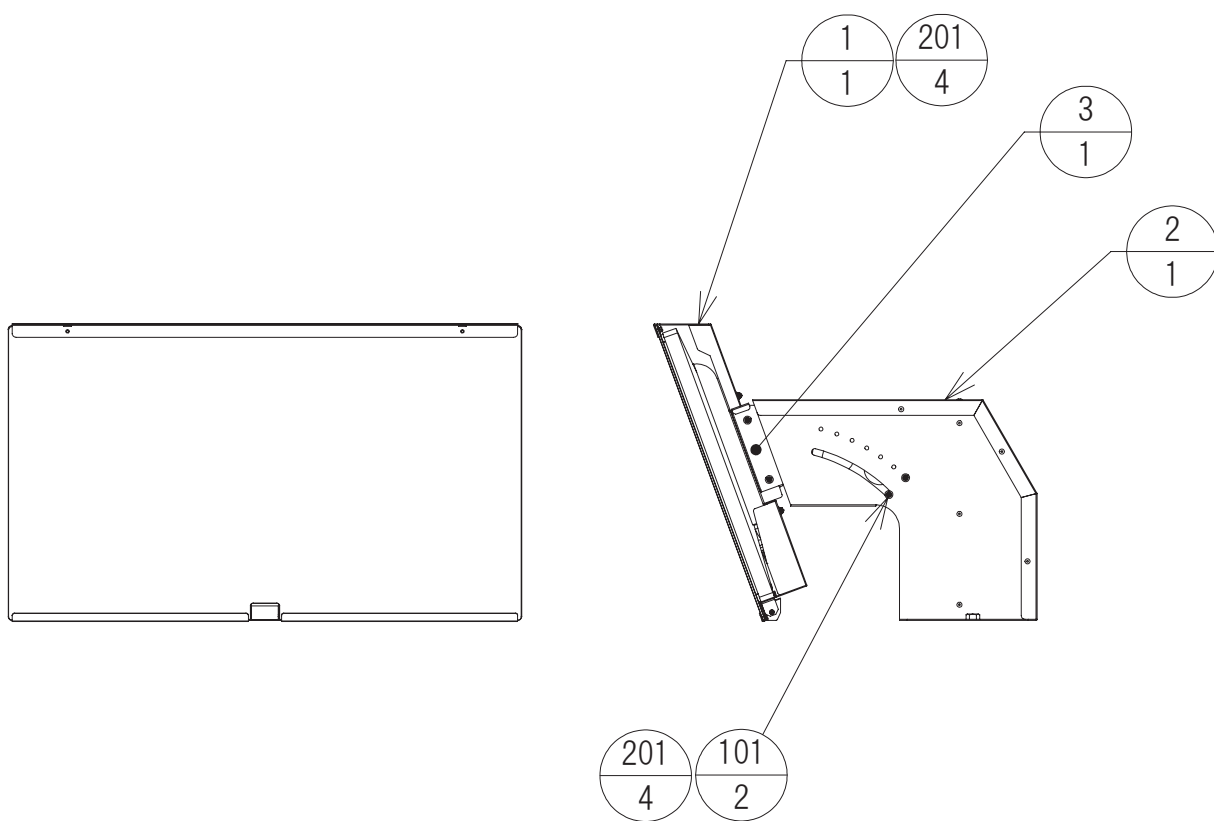
# (1) TOP ASSY DL3 (DL3-0000)



ITEM NO.	PART NO.	DESCRIPTION	NOTE
1	DL3-0500	ASSY LCD	
2	DL3-1000	ASSY UPPER CABI	
3	DL3-1500	ASSY LOWER CABI	
4	DL3-0003	STICKER SERIAL NUMBER	
5	DL3-0004	STICKER ELEC SPEC	
6	DL3-0006	STICKER CERTIFCATE	
7	DL3-7002	PARTS MGMT STICKER	
201	WING BLT M8X20	WING BOLT M8X20MM	
202	FLT WASHER 22-8.0-1.6	FLAT WASHER 22-8.0-1.6	
401	DL3-0001	PROTECT COVER	
402	DL3-0002	LOWER L BRKT	
403		POWER CABLE	
404		LAN CABLE 10m	
405	DL3-7001	THROWLINE STICKER	
406	DL3-7101EG	INSTRUCTION MANUAL	
407	DL3-7102EG	OWNERS MANUAL	
408	220-5793-2-A001	KEY MASTER A001	
409	220-5793-2-A002	KEY MASTER A002	
410	M SCR TH BLK M5X10	TRUSS HEAD MACHINE SCREW M5X10MM. TRIVALENT BLACK	
411	UPSET BLT W/FS BLK M8X16	CROSS RECESSED UPSET BOLT M8X16MM. TRIVALENT BLACK	

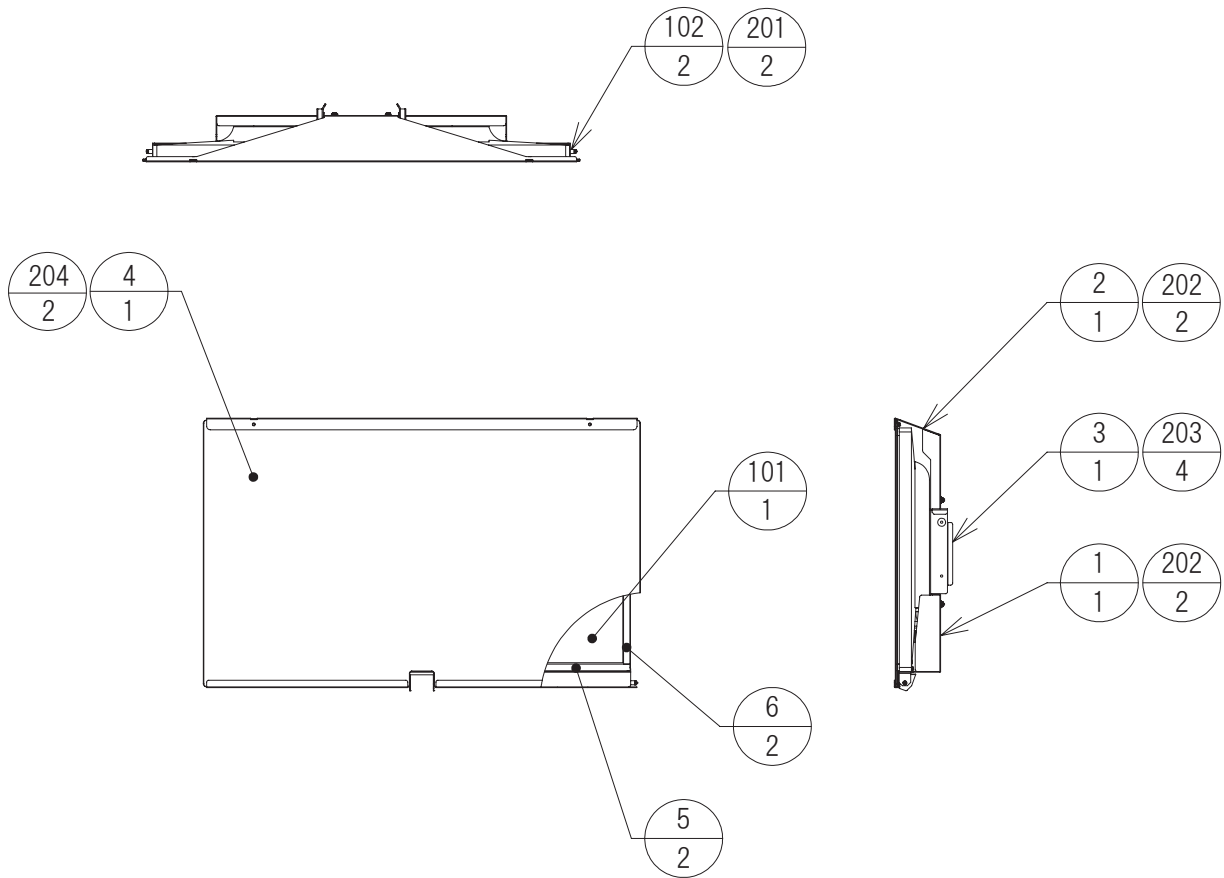


## (2) ASSY LCD (DL3-0500)



ITEM NO.	PART NO.	DESCRIPTION	NOTE
1	DL3-0550	LCD UNIT	
2	DL3-0504	LCD MOUNT BASE	
3	DL3-0505	LCD ADJUST BRKT	
101	DSL01-015100-10	SPACER STEEL	
201	M SCR PH M4X8 P3 BLK	PAN HEAD MACHINE SCREW M4X8MM P3 FS WITH WASHER. TRIVALENT BLACK	

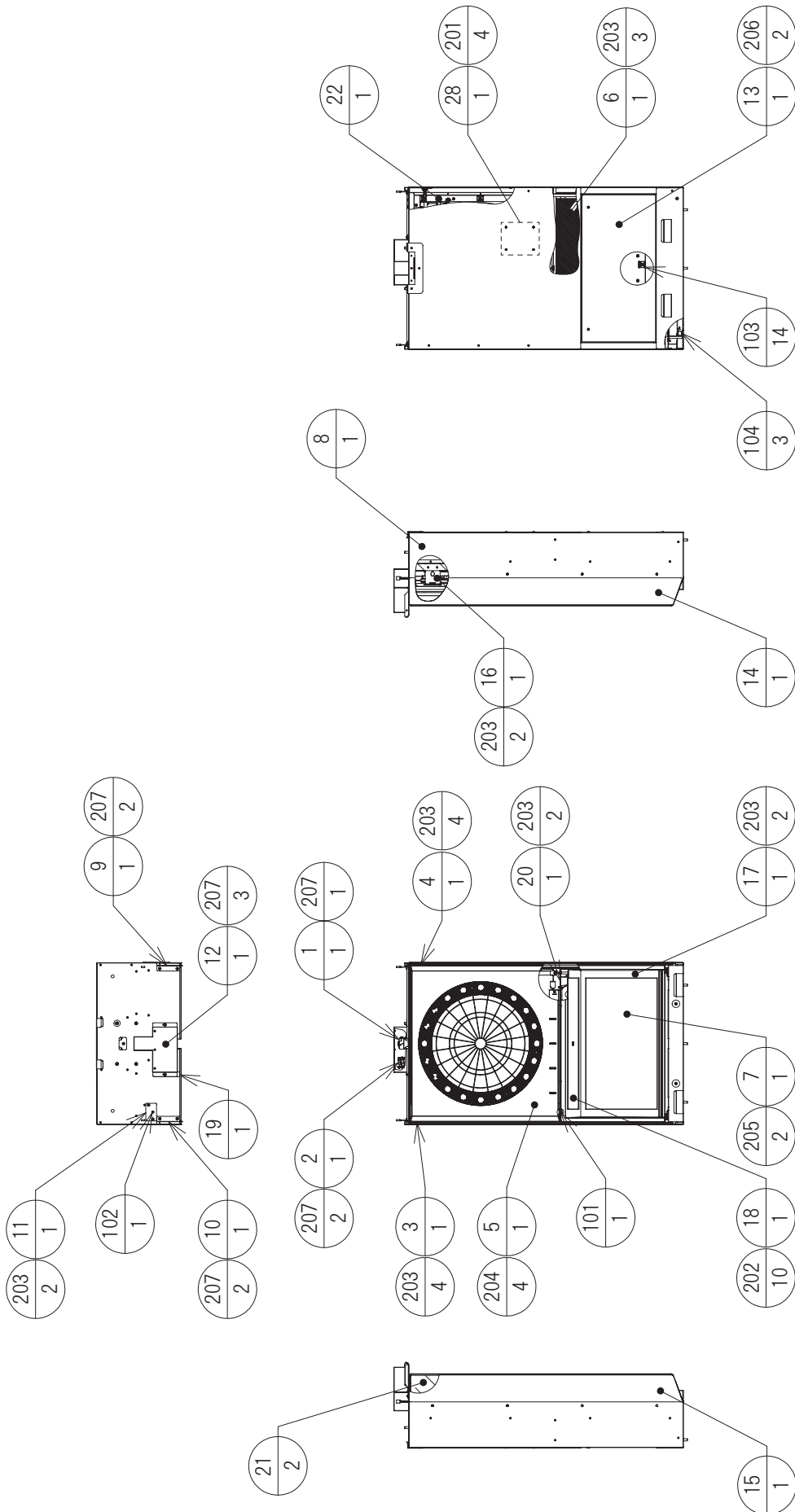
### (3) LCD UNIT (DL3-0550)



ITEM NO.	PART NO.	DESCRIPTION	NOTE
1	DL3-0501	LCD FRAME LOWER	
2	DL3-0502	LCD FRAME UPPER	
3	DL3-0503	LCD VESA MOUNT TYPE I	
4	DL3-0506	UPPER LCD ACRYLIC TYPE I	
5	DL3-0507	RUBBER L FOR LCD	
6	DL3-0508	RUBBER S FOR LCD	
101	VA2719-SMH-7	VIEWSONIC 27inch LCD	
102	DSL01-009700-10	SPACER STEEL	
201	M SCR PH M3X8 BLK	PAN HEAD MACHINE SCREW M3X8MM. TRIVALENT BLACK	
202	M SCR PH M4X8 P3 BLK	PAN HEAD MACHINE SCREW M4X8MM P3 FS WITH WASHER. TRIVALENT BLACK	
203	M SCR PH M4X12 P3 BLK	PAN HEAD MACHINE SCREW M4X12MM P3 FS WITH WASHER. TRIVALENT BLACK	
204	FLG NUT M3	FLANGE NUT M3	

(4) ASSY UPPER CABI (DL3-1000)

(D-1/3)



- 1
- 2
- 3
- 4
- 5
- 6
- 7
- 8
- 9
- 10
- 11
- 12
- 13

**(4) ASSY UPPER CABI (DL3-1000)****(D-2/3)**

ITEM NO.	PART NO.	DESCRIPTION	NOTE
1	DL3-0600	ASSY PLAYER CAMERA	
2	DL3-0700	ASSY TARGET CAMERA	
3	DL3-1050	ASSY SIDE LED L	
4	DL3-1080	ASSY SIDE LED R	
5	DL3-1150	ASSY TARGET DOOR	
6	DL3-1300	ASSY SPEAKER	
7	DL3-1410	ASSY TOUCH PANEL DISPLAY	
8	DL3-1001	UPPER CABI	
9	DL3-1002	LCD AXIS SUPPORT R	
10	DL3-1003	LCD AXIS SUPPORT L	
11	DL3-1004	TARGET DOOR UPPER AXIS	
12	DL3-1005	CAMERA BASE COVER	
13	DL3-1006	BACK LID	
14	DL3-1007	SIDE DECO PLATE R	
15	DL3-1008	SIDE DECO PLATE L	
16	DL3-1009	TARGET DOOR KEY CATCH	
17	DL3-1010	LCD ESCUTCHEON	
18	DL3-1011	SPEAKER NET	
19	DL3-1012	CAMERA ACRYLIC TYPE T	
20	DL3-1013	KEY LOCK PLATE	
21	DL3-1014	SIDE REFLECTION STICKER	
22	DL3-1102	TARGET DOOR AXIS PLATE	
23	DL3-1015	CABLE TAG 24	
24	DL3-1016	CABLE TAG 27	
25	DL3-1017	CABLE TAG T.PANEL	
26	DL3-1018	CABLE TAG MATRIX	
27	DL3-1019	CABLE TAG DOPP	
28	DL3-4210	MEMBRANE IO BD	
29	DL3-1515EG	STICKER URL BARCORD ENG	
30	DL3-1023	PACKING RUBBER ESCUTCHEON 530	
31	DL3-1024	PACKING RUBBER ESCUTCHEON 300	
101	DSL01-003600-11	BUSH POM	
102	DSL01-003700-12	BUSH POM	
103		CLAMP	
104		CLAMP	
105		CLAMP	
106		CORD KEEP	
107	5DW32D1R8	DVI CABLE W/FERRITECORE 2000MM	
108	MV00003800610	HDMI-HDMI CABLE W/FERRITECORE 3000MM	
109	MV00003800420	USB2.0 CABLE A-MICRO B TYPE 1800MM	
110	MV00003800370	AC CABLE 3P PLUG-SOCKET	
111	SS-15N	SPIRAL TUBE 15 φ 025CM	
112	TE-012-0050	EDGING BUSH 1.2	
113		CABLE TIE	
114	S6B UH 26X29.2X13(LF-1330R)	FERRITE CORE	

**(4) ASSY UPPER CABI (DL3-1000)****(D-3/3)**

ITEM NO.	PART NO.	DESCRIPTION	NOTE
201	M SCR PH M3X6 P3	PAN HEAD MACHINE SCREW M3X6MM P3 FS WITH WASHER. TRIVALENT BLACK	
202	M SCR PH M3X16 P3 BLK	PAN HEAD MACHINE SCREW M3X16MM P3 FS	
203	M SCR PH M4X8 P3 BLK	PAN HEAD MACHINE SCREW M4X8MM P3 FS WITH WASHER. TRIVALENT BLACK	
204	M SCR PH M4X16 P3	PAN HEAD MACHINE SCREW M4X16MM P3 FS	
205	M SCR PH M5X10 P3	PAN HEAD MACHINE SCREW M5X10MM P3 FS	
206	M SCR TH M4X6 BLK	TRUSS HEAD MACHINE SCREW M4X6MM. TRIVALENT BLACK	
207	FLG NUT M4	FLANGE NUT M4	
208	PITACK M SCR PH M4X8 P3	PITACK PAN HEAD MACHINE SCREW M4X8MM P3 FS WITH WASHER	
301	DL3-6100	ASSY WH UPEER PANEL	
302	DL3-6028	WH TARGET LED FLAT	
303	DL3-6030	WH DSUB TARGET	
304	DL3-6020	WH EARTH DOOR	
305	DL3-6024	WH EARTH SPEAKER NET CABI	
306	DL3-6025	WH EARTH SPEAKER NET	

1

2

3

4

5

6

7

8

9

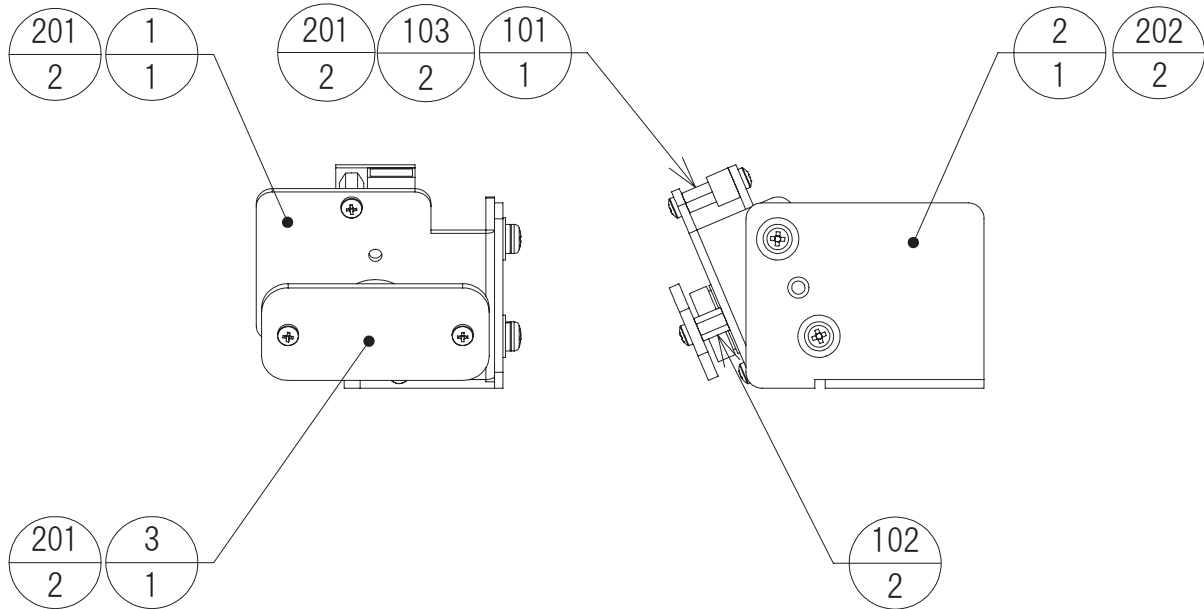
10

11

12

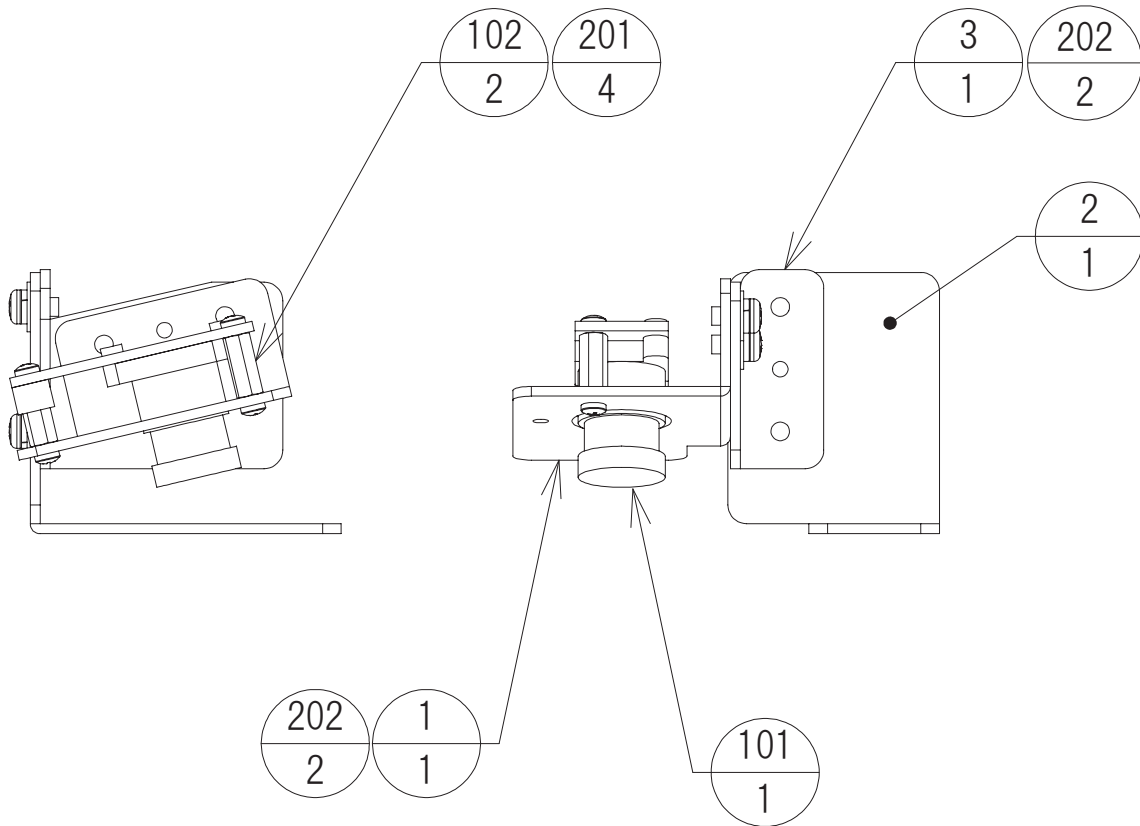
13

## (5) ASSY PLAYER CAMERA (DL3-0600)



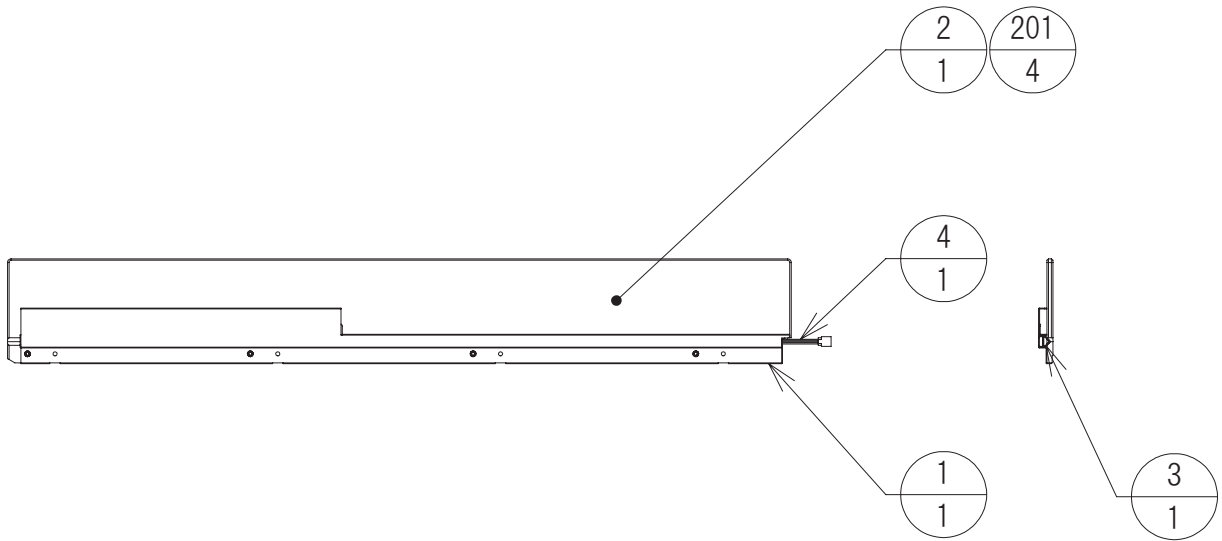
ITEM NO.	PART NO.	DESCRIPTION	NOTE
1	DL3-0601	CAMERA BRKT TYPE P	
2	DL3-0602	CAMERA SUPPORT TYPE P	
3	DL3-0603	CAMERA ACRYLIC TYPE P	
4	DL3-0604	CABLE TAG P.CAMERA	
101	KBCR-S03MU-DW9305CM	USB CAMERA S03MU-DW9305CM	
102	DSL01-016900-10	SPACER BRASS	
103	DSL01-017000-12	SPACER POM	
104	MV00003800440	USB CABLE CAMERA	
201	M SCR PH M2X4 BLK	PAN HEAD MACHINE SCREW M2X4MM. TRIVALENT BLACK	
202	M SCR PH M3X6 P3 BLK	PAN HEAD MACHINE SCREW M3X6MM P3 FS WITH WASHER. TRIVALENT BLACK	

## (6) ASSY TARGET CAMERA (DL3-0700)



ITEM NO.	PART NO.	DESCRIPTION	NOTE
1	DL3-0701	CAMERA BRKT TYPE T	
2	DL3-0702	CAMERA SUPPORT TYPE T	
3	DL3-0703	CAMERA HOLDER	
4	DL3-0704	CABLE TAG T.CAMERA	
101	KBCR-S03MU-HPB1007	USB CAMERA S03MU-HPB1007	
102	DSL01-017000-12	SPACER POM	
103	MV00003800440	USB CABLE CAMERA	
201	M SCR PH M2X4 BLK	PAN HEAD MACHINE SCREW M2X4MM. TRIVALENT BLACK	
202	M SCR PH M3X6 P3 BLK	PAN HEAD MACHINE SCREW M3X6MM P3 FS WITH WASHER. TRIVALENT BLACK	

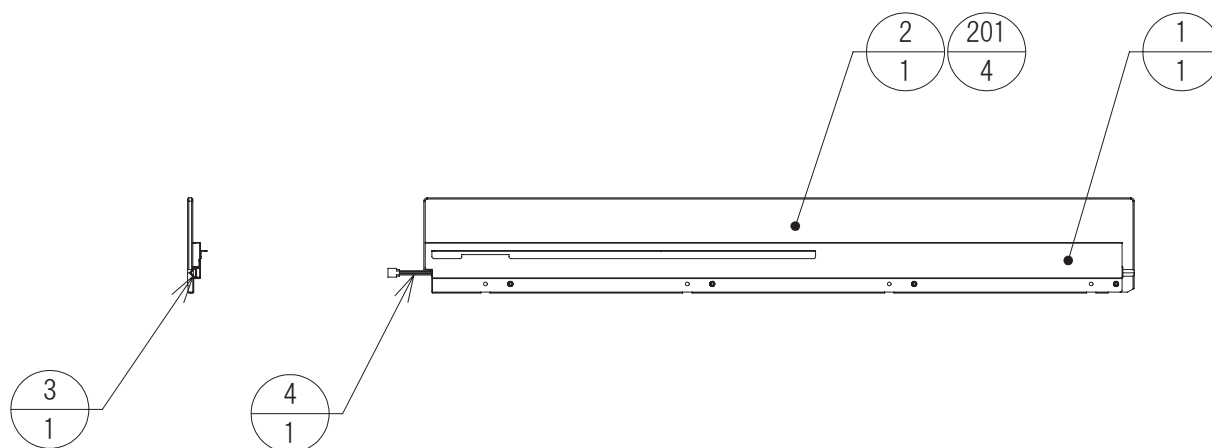
## (7) ASSY SIDE LED L (DL3-1050)



ITEM NO.	PART NO.	DESCRIPTION	NOTE
1	DL3-1051	SIDE ACRYLIC SUPPORT L	
2	DL3-1052WE	SIDE ACRYLIC L WE	
3	DL3-1053	SILICONE TUBE	
4	DL3-1065	TAPE LED L=1000 WWH	
5	DL3-1056	STICKER SIDE ACRYLIC	
103	J2527	VINYL TAPE No. 21 (L=15MM)	
104		CORD KEEP	
201	M SCR TH M4X6 BLK	TRUSS HEAD MACHINE SCREW M4X6MM. TRIVALENT BLACK	



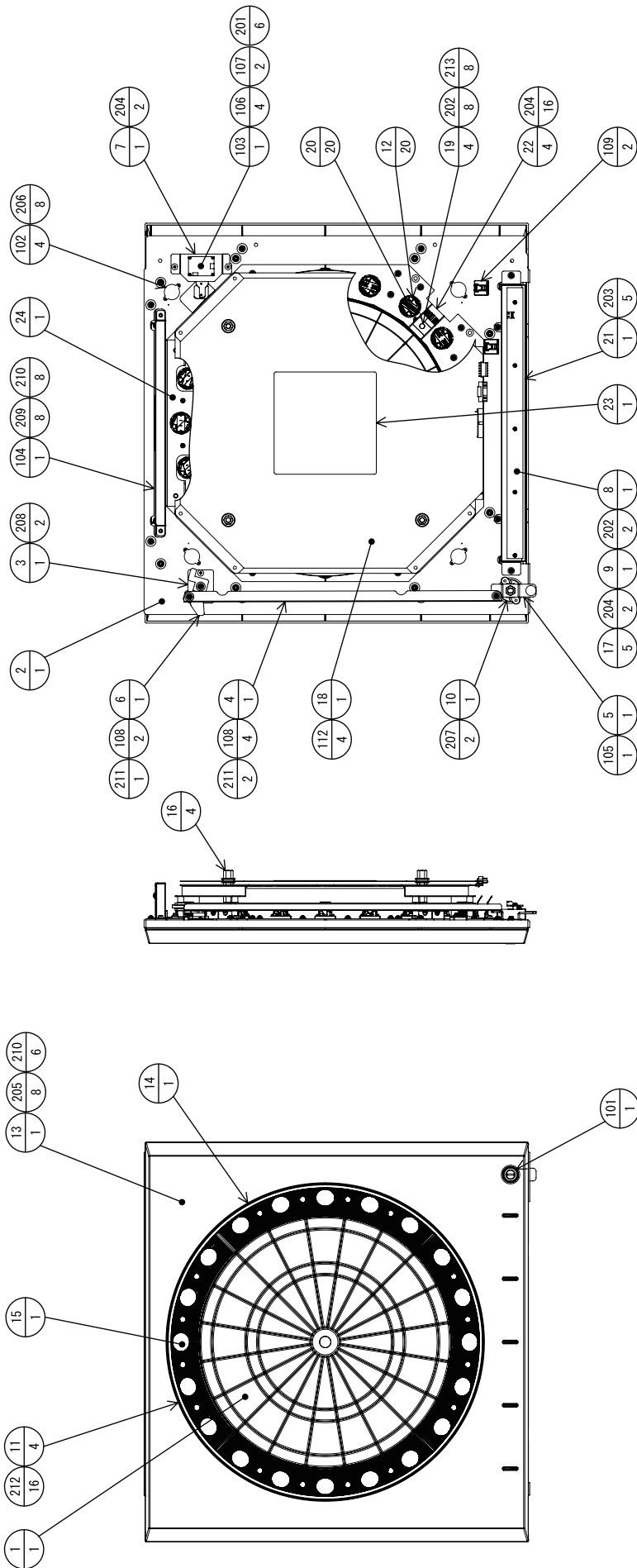
## (8) ASSY SIDE LED R (DL3-1080)



ITEM NO.	PART NO.	DESCRIPTION	NOTE
1	DL3-1081	SIDE ACRYLIC SUPPORT R	
2	DL3-1082WE	SIDE ACRYLIC R WE	
3	DL3-1053	SILICONE TUBE	
4	DL3-1065	TAPE LED L=1000 W WH	
5	DL3-1056	STICKER SIDE ACRYLIC	
103	J2527	VINYL TAPE No. 21 (L=15MM)	
104		CORD KEEP	
201	M SCR TH M4X6 BLK	TRUSS HEAD MACHINE SCREW M4X6MM. TRIVALENT BLACK	

(9) ASSY TARGET DOOR (DL3-1150)

(D-1/3)



**(9) ASSY TARGET DOOR (DL3-1150)****(D-2/3)**

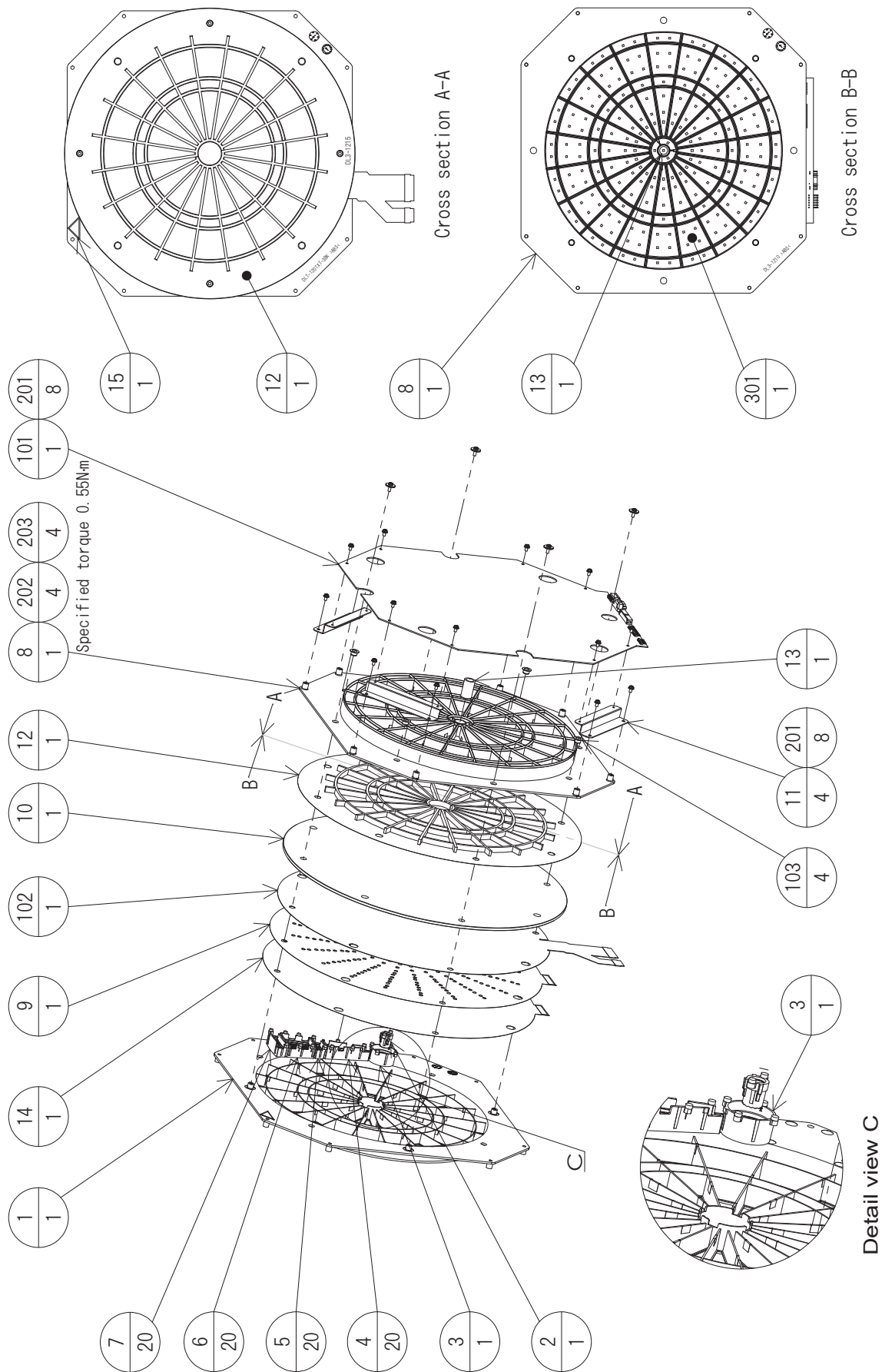
ITEM NO.	PART NO.	DESCRIPTION	NOTE
1	DL3-1200	ASSY TARGET	
2	DL3-1151WE	TARGET DOOR BOARD WE	
3	DL3-1103	DOOR LOCK PLATE	
4	DL3-1104	LOCK LINK	
5	DL3-1105	TARGET KEY TNG	
6	DL3-1106	TARGET KEY SUB TNG	
7	DL3-1107	DOPPLER SENS BRKT	
8	DL3-1108	STANDING NAVI BOX 1	
9	DL3-1109	STANDING NAVI BOX 2	
10	DL3-1110	PLATE LOCK RETAINER FLAT	
11	DL3-1111	OUT BOARD SEGMENT	
12	DL3-1112	OUT BOARD LENS	
13	DL3-1113	SENSOR COVER	
14	DL3-1114	SENSOR COVER CYLINDER	
15	DL3-1115	NUMBER STICKER	
16	DL3-1124	TARGET NUT M8X50 BLACK	
17	DL3-1117	DIFFUSION SHEET	
18	DL2-1057	TARGET LED BD COVER	
19	DL2-1054	BOLT PLATE	
20	DL3-5007	LED BD FOR OUT BOARD	
21	DL3-5005	LED BD FOR STANDING NAVI	
22	DL3-1152	TARGET DOOR BOARD PLATE	
23	DL3-1153EG	STICKER CAUTION TARGET ENG	
24	DL3-1154	TARGET DOOR BOARD BRKT	
101	220-5793-1-A001	CLY LOCK MASTER W/O KEY A001	
102	KPEG110W08528A	SHOCK SENSOR	
103	GZV-D01	SPEED SENSOR	
104	XT-DQ500A	FULL BIT SENSOR	
105	TM-182-816-16	URETHANE ROLL STOCK	
106	DSL01-016900-10	SPACER BRASS	
107	BS-2010BE	SPACER POM	
108	DSL01-016400-10	WASHER POM	
109	PDV-170BK	RELEASABLE PUSH MOUNT TIES	
110		CORD KEEP	
111	CC-1005	CORD CLIP 1005	
112	DSL01-017900-10	GROMMET	
113	No. 500-10	DOUBLE SIDED TAPE (L=30MM)	
201	M SCR PH M2X4 BLK	PAN HEAD MACHINE SCREW M2X4MM. TRIVALENT BLACK	
202	M SCR PH M3X8 P3	PAN HEAD MACHINE SCREW M3X8MM P3 FS	
203	M SCR PH M3X6 P4	PAN HEAD MACHINE SCREW M3X6MM P4 FS	
204	M SCR PH M4X12 P3	PAN HEAD MACHINE SCREW M4X12MM P3 FS	
205	M SCR PH M4X20 P3	PAN HEAD MACHINE SCREW M4X20MM P3 FS	
206	WOOD SCR PH 2X10	Φ 2X10MM ROUND WOOD SCREW. TRIVALEN WHITE	
207	WOOD SCR PH 3X8	Φ 3X8MM ROUND WOOD SCREW. TRIVALEN WHITE	
208	WOOD SCR TH 4X10 BLK	Φ 4X10MM TRUSS HEAD WOOD SCREW. TRIVALENT BLACK	
209	FLG NUT M4	FLANGE NUT M4	
210	FLT WASHER 16-4-1.6	FLAT WASHER 16-4.0-1.6	

**(9) ASSY TARGET DOOR (DL3-1150)****(D-3/3)**

ITEM NO.	PART NO.	DESCRIPTION	NOTE
211	PITACK M SCR PH M4X8 P3	PITACK PAN HEAD MACHINE SCREW M4X8MM P3 FS WITH WASHER	
212	M SCR PH M4X8 P3	PAN HEAD MACHINE SCREW M4X8MM P3 FS	
213	FLT WASHER M3	FLAT WASHER M3	
214	CAP NUT M4	CAP NUT M4	
301	DL3-6004	WH NUMBER LED	
302	DL3-6005	WH NUMBER LED JP	
303	DL3-6006	WH OUTBOARD SENSOR	
304	DL3-6027	WH NUMBER LED JP W TUBE	

# (10) ASSY TARGET (DL3-1200)

(D-1/2)

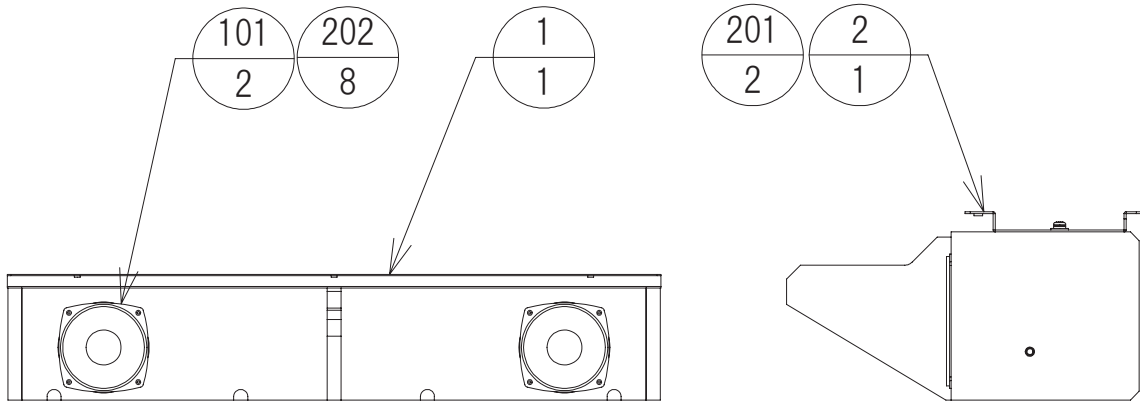


- 1
- 2
- 3
- 4
- 5
- 6
- 7
- 8
- 9
- 10
- 11
- 12
- 13

**(10) ASSY TARGET (DL3-1200)****(D-2/2)**

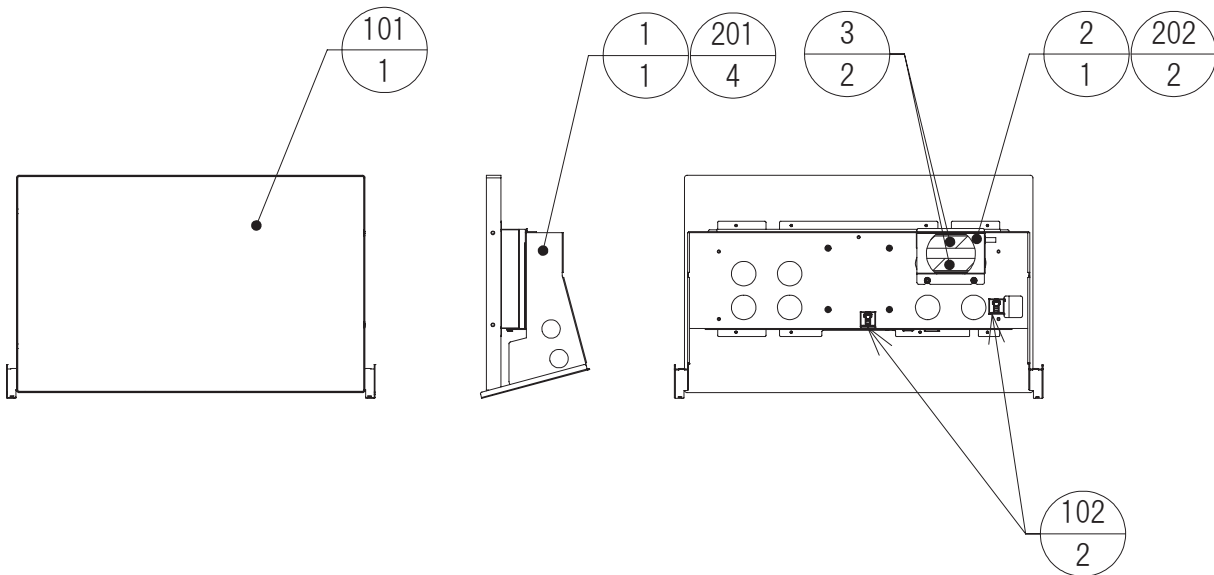
ITEM NO.	PART NO.	DESCRIPTION	NOTE
1	DLT-1201XT-3BK	SPIDER BLACK	
2	DLT-1252-3BK	DOUBLE BULL SEGMENT BLACK	
3	DLT-1253	SINGLE BULL SEGMENT	
4	DLT-1254	SINGLE PIE SEGMENT	
5	DLT-1255	TRIPLE SEGMENT	
6	DLT-1256	SINGLE BLOCK SEGMENT	
7	DLT-1257	DOUBLE SEGMENT	
8	DL3-1210	TARGET LED REFLECT SPIDER FOR DL3	
9	DLT-1212	MENBRANE SPACER SHEET	
10	DL3-1213	TARGET BASE PLATE	
11	DL2-1214	LED BASE BRKT	
12	DL3-1215WE	SPIDER WALL WE	
13	DL3-1216	SPIDER WALL BULL	
14	DLT-1261	MENBRANE PROTECT SHEET	
15	DLT-0002	STICKER POSITIONING CABI	
101	DL3-5003	TARGET LED BOARD	
102	509-6204	MENBRANE SW S-SGA-1789	
103	DSL01-011200-10	FLANGE BUSH	
201	M SCR PH M4X8 P3 BLK	PAN HEAD MACHINE SCREW M4X8MM P3 FS WITH WASHER. TRIVALENT BLACK	
202	M SCR PH M4X12 P2 BLK	PAN HEAD MACHINE SCREW M4X12MM P2 S WITH WASHER. TRIVALENT BLACK	
203	FLT WASHER 16-4-1.6 BLK	FLAT WASHER 16-4-1.6. TRIVALENT BLACK	

# (11) ASSY SPEAKER (DL3-1300)



ITEM NO.	PART NO.	DESCRIPTION	NOTE
1	DL3-1301	SPEAKER BOX	
2	DL3-1302	SPEAKER SUPPORT	
101	F05008H0	SPEAKER	
102		CORD CLIP 1005	
201	M SCR PH M4X16 P3	PAN HEAD MACHINE SCREW M4X16MM P3 FS	
202	WOOD SCR TH 4X10	Φ 4X10MM TRUSS HEAD WOOD SCREW	
301	DL3-6007	WH SPEAKER	

## (12) ASSY TOUCH PANEL DISPLAY (DL3-1410)



ITEM NO.	PART NO.	DESCRIPTION	NOTE
1	DL3-1406	LOWER LCD BASE TOVIS	
2	DL3-1402	AC ADP BRKT	
3	DL3-1403	CUSHON FOR AC ADP	
101	L24G7LTMDL	TOVIS 23.8inch TOUCH PANEL DISPLAY	
102		CLAMP	
103	KL7K T 48X30X15-C	FERRITE CORE	
104	HAS060243-K1	POWER ADAPTOR 24V WEIHAI	
201	M SCR PH M4X10 P3	PAN HEAD MACHINE SCREW M4X10MM P3 FS	
202	FLG NUT M4	FLANGE NUT M4	





**(13) ASSY LOWER CABI (DL3-1500)****(D-2/3)**

ITEM NO.	PART NO.	DESCRIPTION	NOTE
1	DL3-1600	ASSY CONTROL PANEL	
2	DL3-1700	ASSY COIN SELECTOR	
3	DL3-1760	ASSY COUNTER	
4	DL3-1800	ASSY LOWER DOOR L	
5	DL3-1850	ASSY LOWER DOOR R	
6	DL3-1900	ASSY WOOFER	
7	DL3-2050	ASSY AC PANEL	
8	DL3-2100	ASSY CASH BOX	
9	DL3-2250	ASSY CENTER RIB	
10	ICS-60B1-1A/GTX1650	ASSY PCB ENNOCONN	
11	DL3-4100	ASSY MAIN IO BD	
12	DL3-1501	LOWER CABI	
13	DL3-1504	STOPPER BRKT L	
14	DL3-1505	STOPPER BRKT R	
15	DL3-1506	LOCK BAR GUIDE	
16	DL3-1507	STEP COVER	
17	DL3-1508	RUBBER SHEET	
18	DL3-1509	COIN CHUTE	
19	DL3-1510	EXTENSION LID	
20	DL3-1013	KEY LOCK PLATE	
21	DL3-2004	AC UNIT COVER	
22	DL3-2003	AC UNIT SUPPORT	
23	DL3-1511	STICKER PL	
24	DL3-1513	CABLE TAG STEREO	
25	DL3-1514	CABLE TAG MAIN I/O	
26	DL3-1816	STICKER CONN POS	
27	DL3-1515EG	STICKER URL BARCORD EG	
28	DL3-1516	EM ABSORPTION SHEET	
101	MR-65N	CASTER D65 H82 FIX	
102	MG-65N	CASTER D65 H82 FREE	
103	PGBAA-034800-10	LEG ADJUSTER W/O NUT	
104	DSL01-020700-10	ONETOUCH BUSH	
105	DSL01-020600-10	ONETOUCH BUSH	
106	DSL01-016400-10	WASHER POM	
107		CLAMP	
108		CLAMP	
109		CLAMP	
110		CORD KEEP	
111	MV00003800370	AC CABLE 3P PLUG-SOCKET	
112	MV00003800760	STEREO 3.5 CABLE L=1500MM	
113	MV00003800410	USB2.0 CABLE A-B TYPE 1800MM	
114	AC-F01FB01	AC OUTLET	
116	S6B UH 16X28X9(0930A)	FERRITE CORE	
117		CABLE TIE	

**(13) ASSY LOWER CABI (DL3-1500)****(D-3/3)**

ITEM NO.	PART NO.	DESCRIPTION	NOTE
201	M SCR PH M4X8 P3 BLK	PAN HEAD MACHINE SCREW M4X8MM P3 FS WITH WASHER. TRIVALENT BLACK	
202	M SCR PH M4X10 P3	PAN HEAD MACHINE SCREW M4X10MM P3 FS	
203	M SCR PH M4X16 P3	PAN HEAD MACHINE SCREW M4X16MM P3 FS	
204	M SCR PH M4X25 P3	PAN HEAD MACHINE SCREW M4X25MM P3 FS	
205	M SCR TH M4X10 BLK	TRUSS HEAD MACHINE SCREW M4X10MM. TRIVALENT BLACK	
206	FLT WASHER 16-4.4-1.6	FLAT WASHER 16-4.4-1.6	
207	PITACK M SCR PH M4X8 P3	PITACK PAN HEAD MACHINE SCREW M4X8MM P3 FS WITH WASHER	
208	UPSET BOLT M6X20 P3	CROSS RECESSED UPSET BOLT M6X20MM P3 FS WITH WASHER	
301	DL3-6200	ASSY WH LOWER CABINET	
302	DL3-6017	WH AC OUTLET	
303	DL3-6022	WH EARTH OUTLET	
304	DL3-6023	WH WITHOUT TRANCE EXT	

1

2

3

4

5

6

7

8

9

10

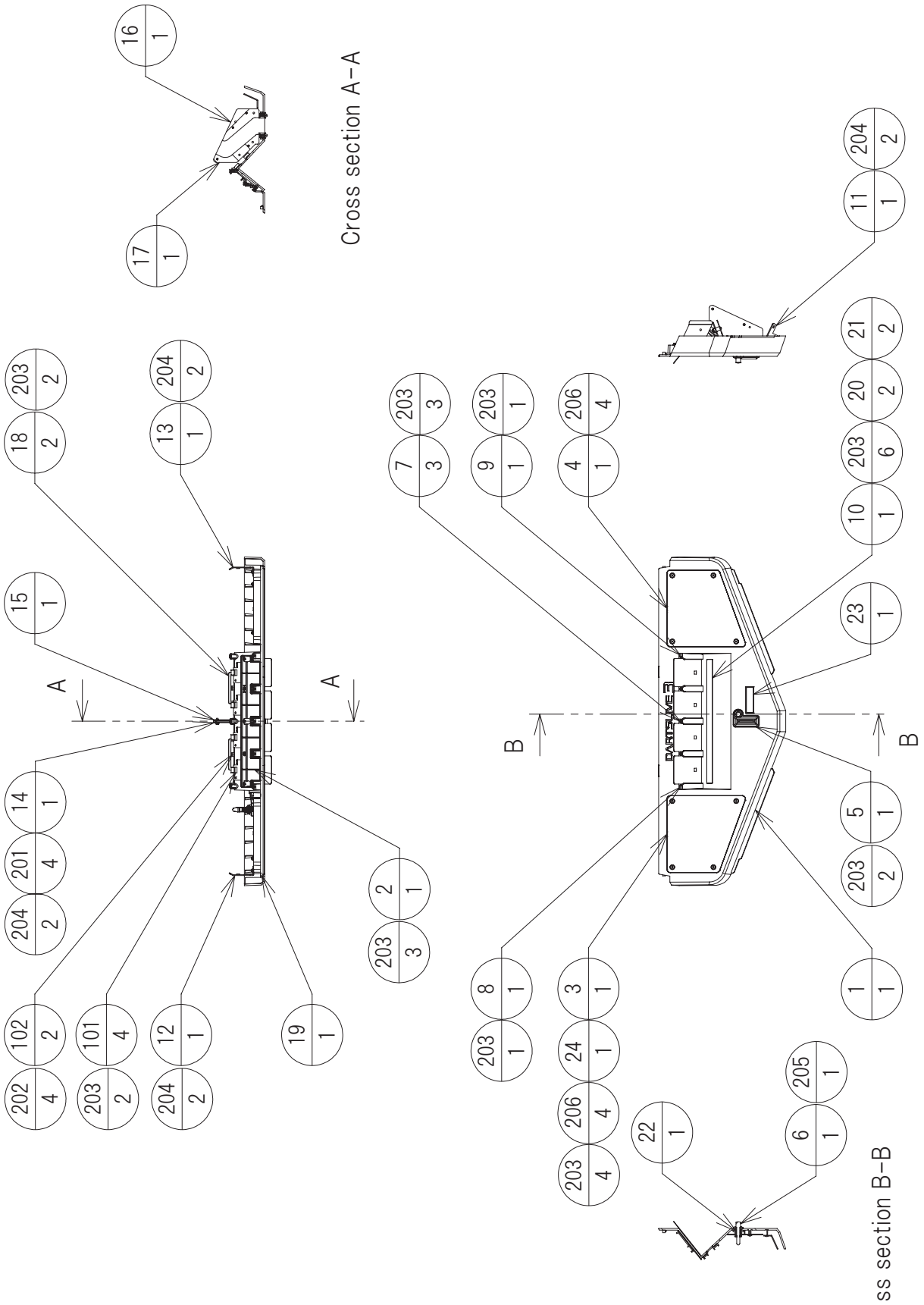
11

12

13

(14) ASSY CONTROL PANEL (DL3-1600)

(D-1/2)



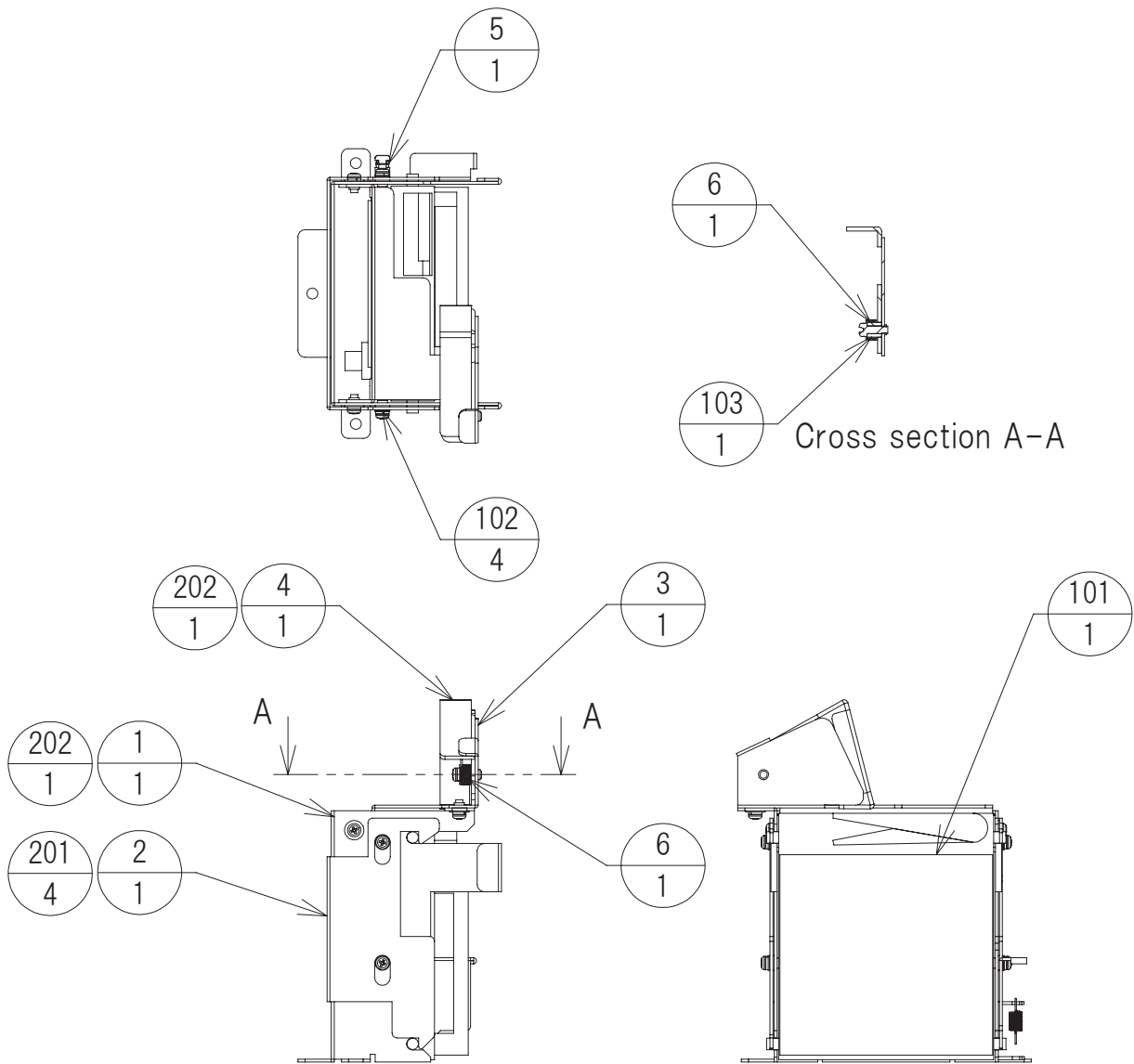
- 1
- 2
- 3
- 4
- 5
- 6
- 7
- 8
- 9
- 10
- 11
- 12
- 13

**(14) ASSY CONTROL PANEL (DL3-1630)****(D-2/2)**

ITEM NO.	PART NO.	DESCRIPTION	NOTE
1	DL3-1601	CONTROL PNL	
2	DL3-1602	RFID ANT HOLDER COVER	
3	DL3-1650	ASSY DL CREDIT	
4	DL3-1604	LIVE CREDIT PNL R	
5	(DL3-1605)	(COIN ENTRY)	
6	(DL3-1606)	(CANSEL ROD)	
7	DL3-1607	CARD GUIDE A	
8	DL3-1608	CARD GUIDE B	
9	DL3-1609	CARD GUIDE C	
10	DL3-1610	CARD LED ACRYLIC	
11	DL3-1611	CONPANE BRKT	
12	DL3-1612	CONPANE HOOK L	
13	DL3-1613	CONPANE HOOK R	
14	DL3-1614 (HK)	COIN CHUTE BRKT 1 (HK)	
15	DL3-1615 (HK)	COIN CHUTE BRKT 2 (HK)	
16	DL3-1616 (HK)	COIN CHUTE OUT A (HK)	
17	DL3-1617 (HK)	COIN CHUTE OUT B (HK)	
18	DL3-1618	CARD LED BRKT	
19	DL3-1619	PACKING RUBBER FOR CONPANE	
20	DL3-1620	PACKING RUBBER S FOR CARD LED	
21	DL3-1621	PACKING RUBBER L FOR CARD LED	
22	(DL3-1624)	(SPRING FOR COIN CANSEL)	
23	(DL3-1623)	(STICKER DENOMINATION)	
24	(DL3-1651)	(DL CREDIT CARD READER COVER L)	
25	(DL3-1652)	(STICKER COVER L)	
26	(DL3-1632)	(COIN ENTRY CAP L)	
101	ME-MR23M4-C-SG	RFID CARD RW BD W/ANT X4 233C	
102	DL3-5008	LED BD DL	
103		CLAMP	
104		CORD KEEP	
105		CABLE TIE	
201	M SCR PH M3X10 P3	PAN HEAD MACHINE SCREW M3X10MM P3 FS	
202	M SCR PH M3X16 P3	PAN HEAD MACHINE SCREW M3X16MM P3 FS	
203	TAP SCR PH 3X8	TAPPING SCREW 3X8MM	
204	TAP SCR PH 4X8	TAPPING SCREW 4X8MM	
205	E RING 5MM	E RING 5MM	
206	HEX SKT ELH M4X8 BLK	LOW HEAD HEXAGON SOCKET CAP SCREW M4X8MM. TRIVALENT BLACK	
207	PITACK M SCR PH M4X8 P3	PITACK PAN HEAD MACHINE SCREW M4X8MM P3 FS WITH WASHER	
301	DL3-6008	WH RFID CARD RW BD POW	
302	DL3-6009	WH CARD HOLDER	
303	DL3-6029	WH DSUB RW	
304	DL3-6026	WH EARTH COIN CHUTE	

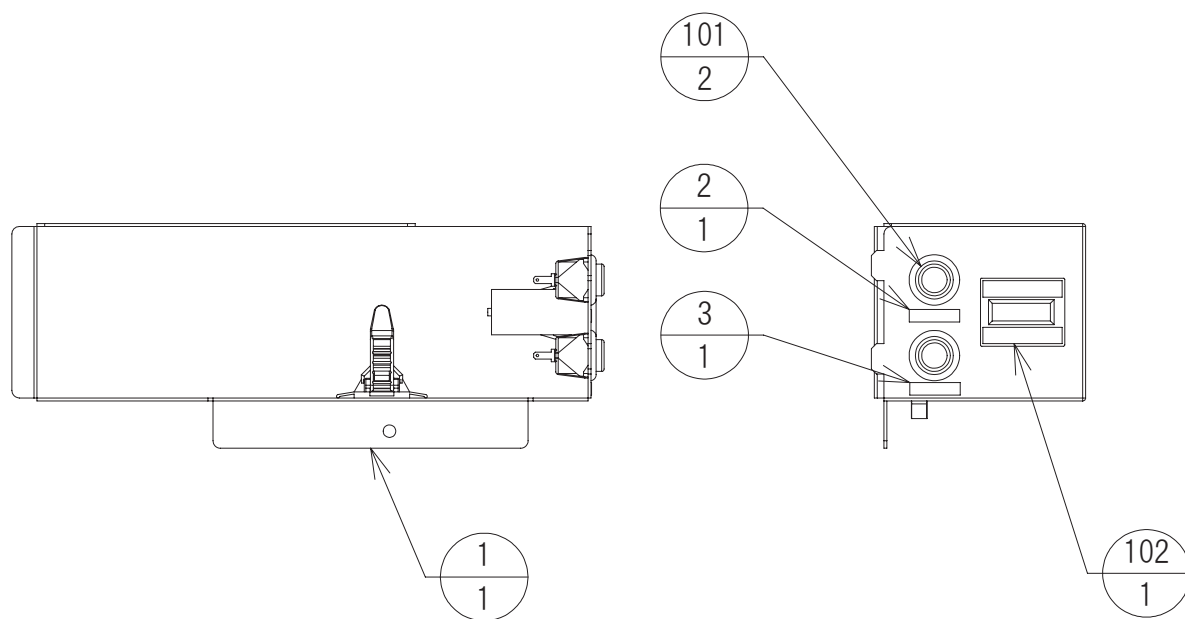
# (15) ASSY COIN SELECTOR (DL3-1700 / 1710)

"(There are some units such as those for China, which were manufactured on specification without coin selector.)"



ITEM NO.	PART NO.	DESCRIPTION	NOTE
1	DL3-1701	COIN SELECTOR BRKT A	
2	DL3-1702	COIN SELECTOR BRKT B	
3	DL3-1703	COIN SELECTOR BRKT C	
4	DL3-1704	REJECT PLATE	
5	DL3-1705	SPRING FOR SELECTOR	
6	DL3-1706	TORSION SPRING FOR SELECTOR	
101	(DP2- ~ _D3D CS ~)	(COIN SELECTOR_DP2- ~ D3D CS)	
102	DSL01-015200-10	SPACER POM	
103	DSL01-009700-10	SPACER POM	
201	M SCR PH M3X6 P3	PAN HEAD MACHINE SCREW M3X6MM P3 FS	
202	M SCR PH M3X10 P3	PAN HEAD MACHINE SCREW M3X10MM P3 FS	
203	FLT WASHER M6	FLAT WASHER M6 t=1.0	
301	DL3-6011	WH COIN	

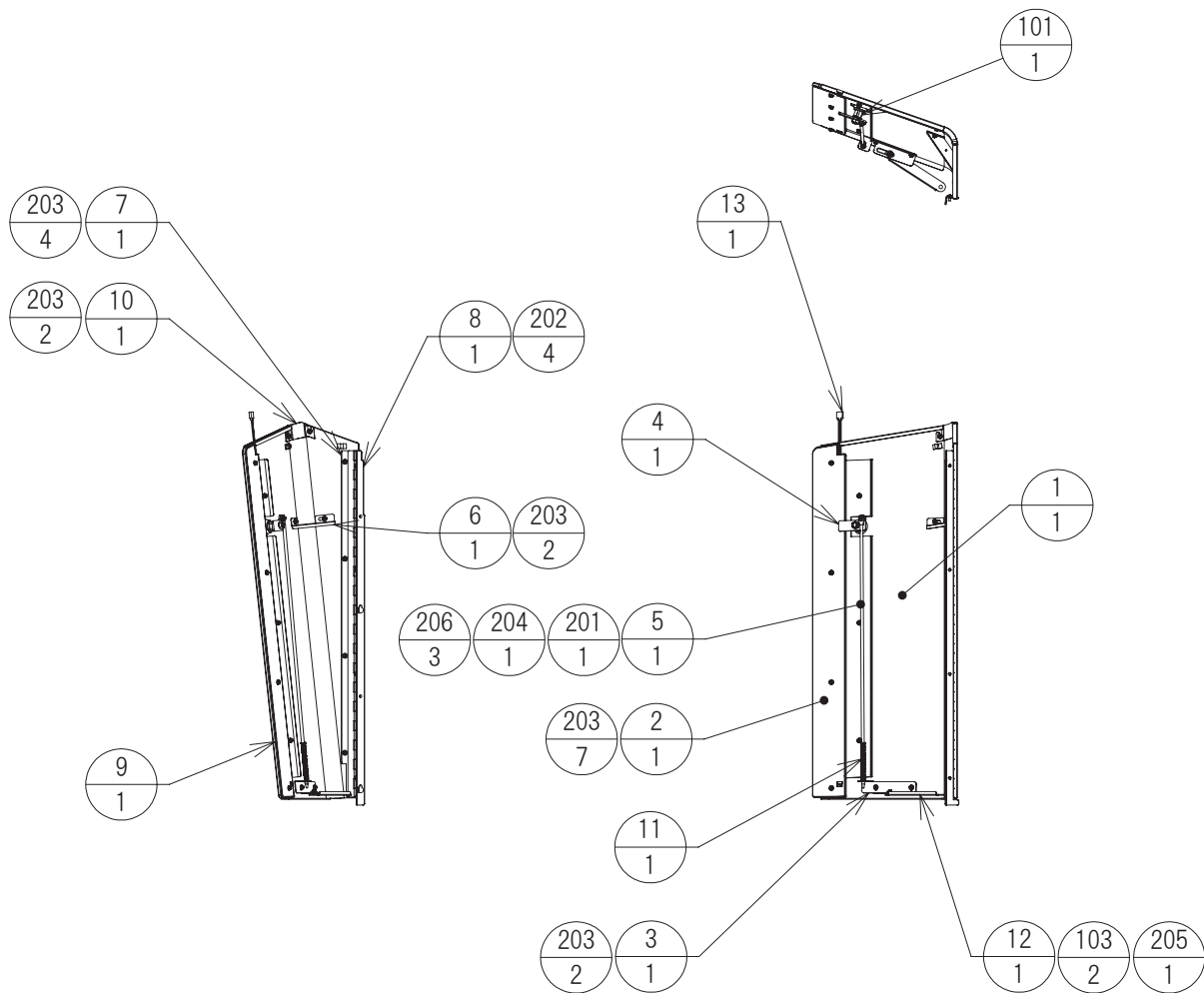
## (16) ASSY COUNTER (DL3-1760)



ITEM NO.	PART NO.	DESCRIPTION	NOTE
1	DL3-1761	COUNTER BRKT	
2	DL3-1752	STICKER TEST	
3	DL3-1753	STICKER SERVICE	
101	502B-2R	PUSH BUTTON SWITCH	
102	OA-126CL DC12V	COUNTER	
103		CLAMP	
301	DL3-6012	WH TEST SERVICE	

**(17) ASSY LOWER DOOR L (DL3-1800)**

**(D-1/2)**



ITEM NO.	PART NO.	DESCRIPTION	NOTE
1	DL3-1801	DOOR BASE FRAME L	
2	DL3-1802	DOOR ACRYLIC SUPPORT L	
3	DL3-1803	DOOR LINK L	
4	DL3-1804	DOOR KEY TANG	
5	DL3-1805	DOOR LOCK BAR	
6	DL3-1806	DOOR RIB	
7	DL3-1807WE	DOOR HINGE L WE	
8	DL3-1808	HINGE BRKT L	
9	DL3-1809WE	DOOR ACRYLIC L WE	
10	DL3-1810	DOOR BASE CAP L	
11	DL3-1811	SPRING FOR DOOR	
12	DL3-1502	DOOR STOPPER LINK L	
13	DL3-1820	TAPE LED L=700 W WH	
101	220-5793-1-A001	CLY LOCK MASTER W/O KEY A001	
102		CORD KEEP	
103	DSL01-016400-10	WASHER POM	



**(17) ASSY LOWER DOOR L (DL3-1800)****(D-2/2)**

ITEM NO.	PART NO.	DESCRIPTION	NOTE
201	M SCR PH M3X6 P3	PAN HEAD MACHINE SCREW M3X6MM P3 FS	
202	M SCR TH M4X6 BLK	PAN HEAD MACHINE SCREW M4X6MM P3 FS WITH WASHER. TRIVALENT BLACK	
203	FLG NUT M4	FLANGE NUT M4	
204	E RING 5MM	E RING 5MM	
205	PITACK M SCR PH M4X8 P3	PITACK PAN HEAD MACHINE SCREW M4X8MM P3 FS WITH WASHER	
206	FLT WASHER M6	FLAT WASHER M6	
301	DL3-6020	WH EARTH DOOR	

1

2

3

4

5

6

7

8

9

10

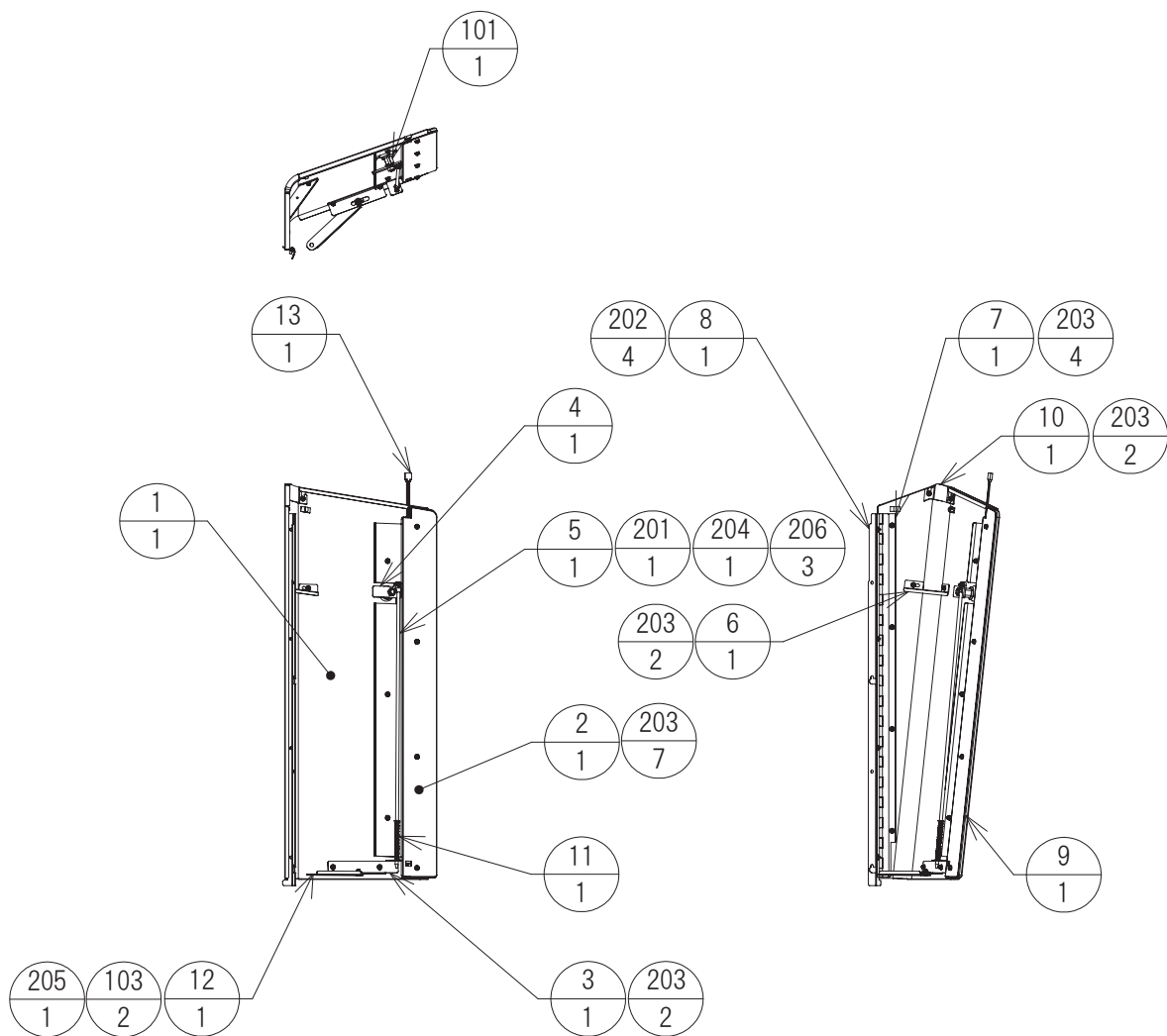
11

12

13

# (18) ASSY LOWER DOOR R (DL3-1850)

(D-1/2)



ITEM NO.	PART NO.	DESCRIPTION	NOTE
1	DL3-1851	DOOR BASE FRAME R	
2	DL3-1852	DOOR ACRYLIC SUPPORT R	
3	DL3-1853	DOOR LINK R	
4	DL3-1804	DOOR KEY TANG	
5	DL3-1805	DOOR LOCK BAR	
6	DL3-1806	DOOR RIB	
7	DL3-1854WE	DOOR HINGE R WE	
8	DL3-1855	HINGE BRKT R	
9	DL3-1856WE	DOOR ACRYLIC R WE	
10	DL3-1857	DOOR BASE CAP R	
11	DL3-1811	SPRING FOR DOOR	
12	DL3-1503	DOOR STOPPER LINK R	
13	DL3-1820	TAPE LED L=700 W WH	
101	220-5793-1-A002	CLY LOCK MASTER W/O KEY A002	
102		CORD KEEP	
103	DSL01-016400-10	WASHER POM	

**(18) ASSY LOWER DOOR R (DL3-1850)****(D-2/2)**

ITEM NO.	PART NO.	DESCRIPTION	NOTE
201	M SCR PH M3X6 P3	PAN HEAD MACHINE SCREW M3X6MM P3 FS	
202	M SCR TH M4X6 BLK	PAN HEAD MACHINE SCREW M4X6MM P3 FS WITH WASHER. TRIVALENT BLACK	
203	FLG NUT M4	FLANGE NUT M4	
204	E RING 5MM	E RING 5MM	
205	PITACK M SCR PH M4X8 P3	PITACK PAN HEAD MACHINE SCREW M4X8MM P3 FS WITH WASHER	
206	FLT WASHER M6	FLAT WASHER M6	
301	DL3-6020	WH EARTH DOOR	

1

2

3

4

5

6

7

8

9

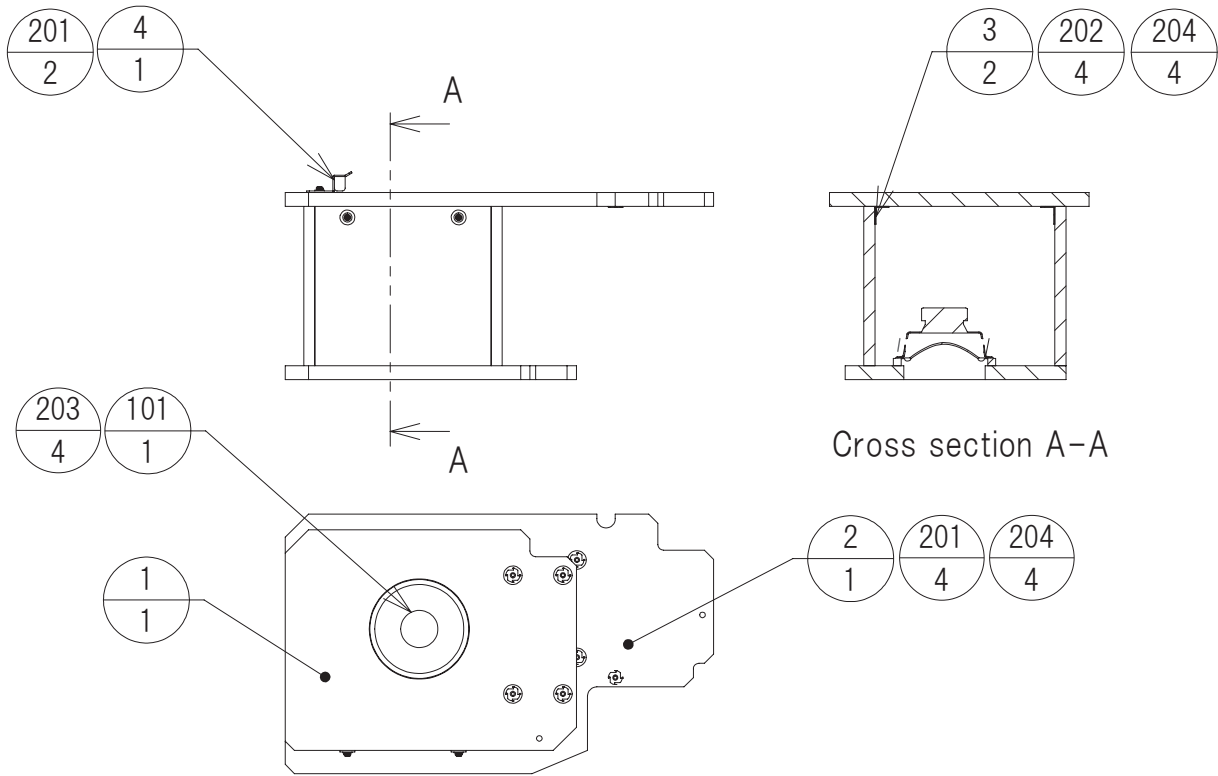
10

11

12

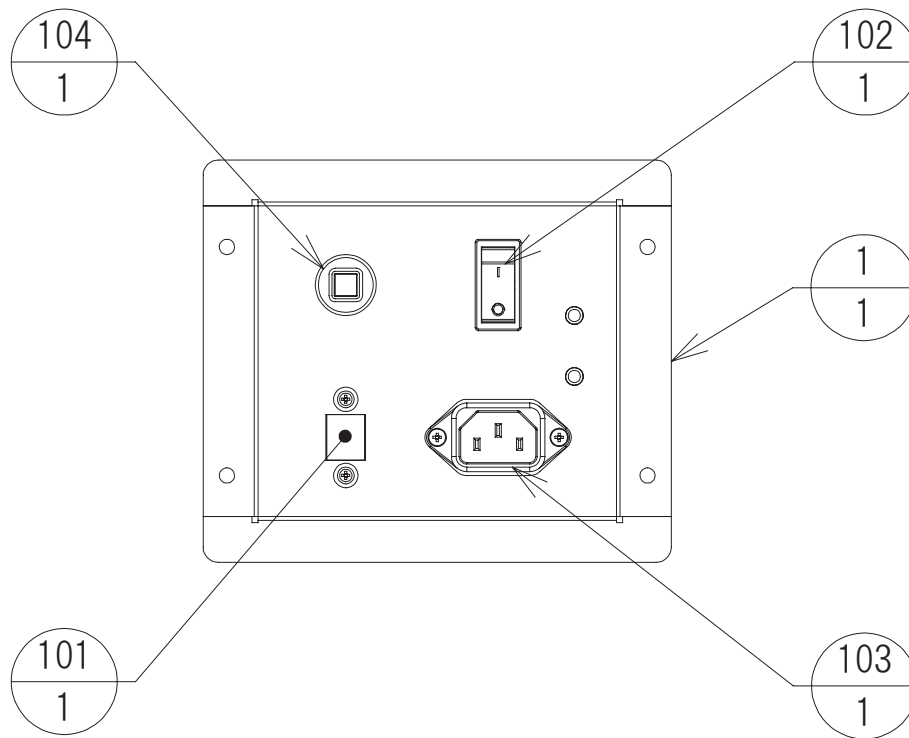
13

# (19) ASSY WOOFER (DL3-1900)



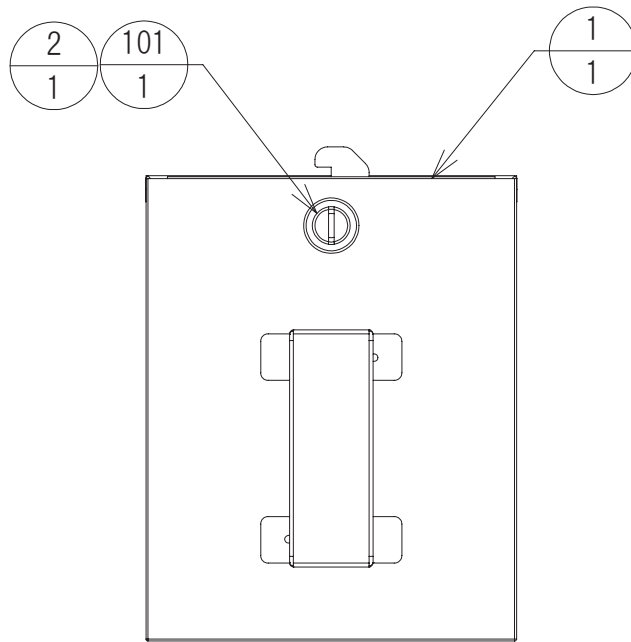
ITEM NO.	PART NO.	DESCRIPTION	NOTE
1	DL3-1901	WOOFER BOX	
2	DL3-1902	WOOFER BOX TOP BOARD	
3	DL3-1903	WOOFER BOX BRKT	
4	DL3-1904	PC BASE HOOK	
101	W00712D1	WOOFER	
102		CLAMP	
201	M SCR PH M4X16 P3	PAN HEAD MACHINE SCREW M4X16MM P3 FS	
202	M SCR PH M4X20 P3	PAN HEAD MACHINE SCREW M4X20MM P3 FS	
203	WOOD SCR TH 4X20	Φ 4X20MM TRUSS HEAD WOOD SCREW	
204	FLT WASHER 16-4.4-1.6	FLAT WASHER 16-4.4-1.6	
205	WOOD SCR FH 3X12	Φ 3X12MM COUNTERSUNK SCRW. TRIVALENT WHITE	
301	DL3-6014	WH WOOFER SPEAKER	

## (20) ASSY AC PANEL (DL3-2050)



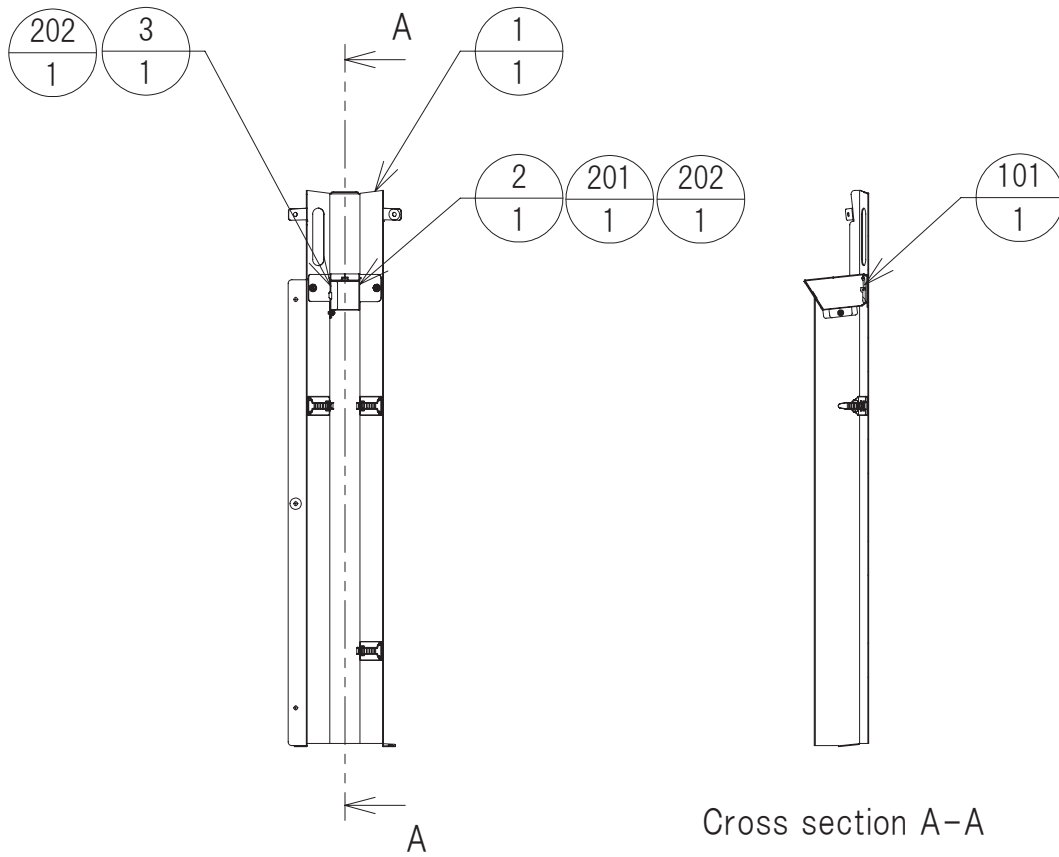
ITEM NO.	PART NO.	DESCRIPTION	NOTE
1	DL3-2001	AC UNIT BRKT	
2	DL3-2053	STICKER C.P	
3	DL3-2052	STICKER EARTH	
4	DL3-1020	CABLE TAG NETWORK	
101	AC6AMF-PL1000	PANELMOUNT LAN CABLE	
102	CF-LA-2KZ2-5C	POWER SW	
103	YB06A1-B	AC INLET	
104	T9-611P-5.0A	CIRCUIT PROTECTOR 5A	
105		CABLE TIE	
201	M SCR PH M3X8 BLK P3	PAN HEAD MACHINE SCREW M3X8MM TRIVALENT BLACK P3 FS WITH WASHER	
202	M SCR FH M3X8 BLK	FLAT HEAD MACHINE SCREW M3X8MM TRIVALENT BLACK	
203	FLG NUT M4	FLANGE NUT M4	
301	DL3-6015	WH INLET L	
302	DL3-6016	WH J8 CONN	
303	DL3-6018	WH EARTH AC	
304	DL3-6021	WH EARTH OUTLET EXT	

## (21) ASSY CASH BOX (DL3-2100)



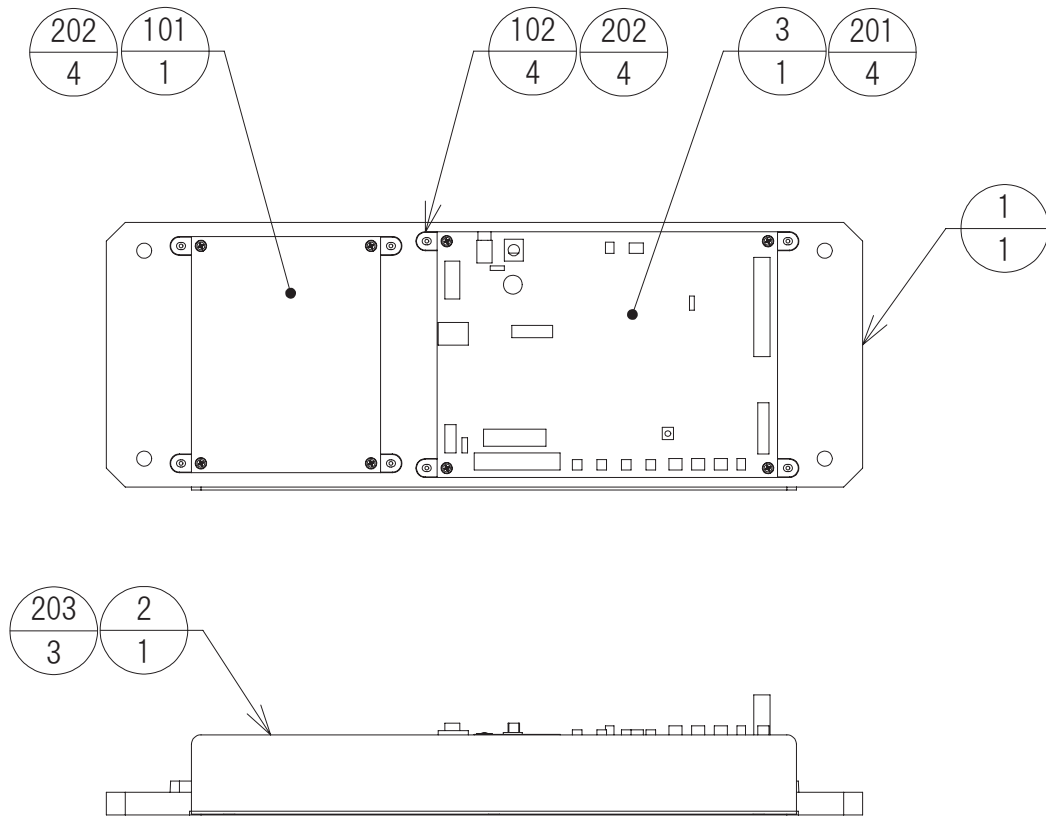
ITEM NO.	PART NO.	DESCRIPTION	NOTE
1	DL3-2101	CASH BOX	
2	DL3-2102	CASH KEY TANG	
101	220-5794	CLY LOCK W/KEYS	

## (22) ASSY CENTER RIB (DL3-2250)



ITEM NO.	PART NO.	DESCRIPTION	NOTE
1	DL3-2251	CENTER RIB	
2	DL3-2252	REJECT FLAP HOLDER L	
3	DL3-2253	REJECT FLAP HOLDER R	
4	(DL3-2204)	(REJECT CAP PLATE)	
101	PGBKK-011100-10	REJECT FLAP	
101	PGBKK-011200-10	REJECT FLAP ROLLER	
101	PGBKK-011300-10	REJECT FLAP PIN	
102		CLAMP	
201	M SCR PH M3X6 P3	PAN HEAD MACHINE SCREW M3X6MM P3 FS	
202	FLG NUT M4	FLANGE NUT M4	

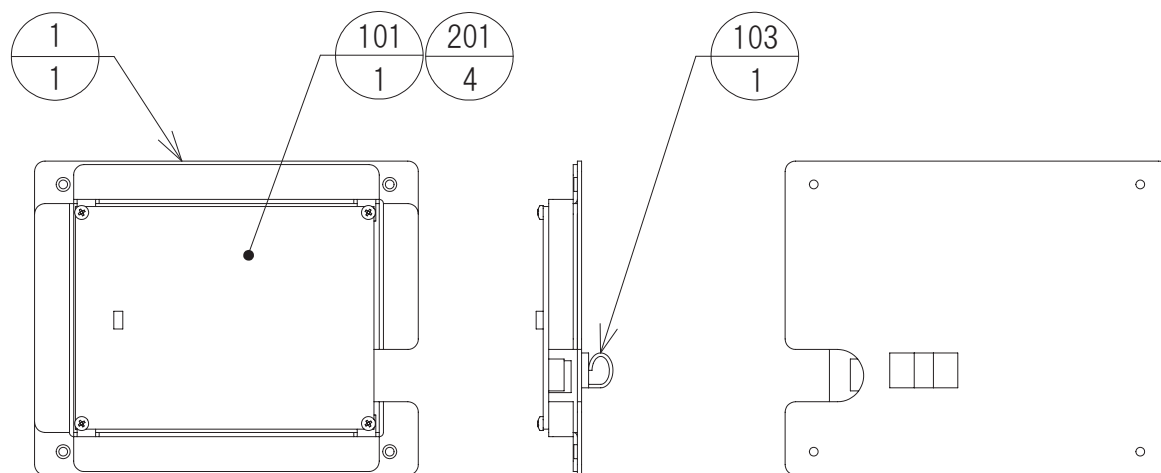
## (23) ASSY MAIN IO BD (DL3-4100)



ITEM NO.	PART NO.	DESCRIPTION	NOTE
1	DL3-4101	IO BD BASE WOODEN	
2	DL3-4102	PWB PROTECTOR	
3	DL3-4110	MAIN IO BD	
101	14-1466AR	2.1CH EQ AMP BD	
102	CBH01-042200-10	L-LOCK	
103		CLAMP	
201	M SCR PH M3X6 P4	PAN HEAD MACHINE SCREW M3X6MM P4 FS	
202	WOOD SCR TH 3.5X16	Φ 3.5X16MM TRUSS HEAD WOOD SCREW	
203	WOOD SCR FH 3X10	Φ 3X10MM COUNTERSUNK SCR. TRIVALENT WHITE	
204	WOOD SCR FH 3X12	Φ 3X12MM COUNTERSUNK SCR. TRIVALENT WHITE	



## (25) ASSY DL CREDIT (DL3-1650)



ITEM NO.	PART NO.	DESCRIPTION	NOTE
1	DL3-1653	DL CREDIT CARD READER BRKT	
2	DL3-1654	CABLE TAG DLCR	
3	DL3-0009	STICKER FCC DL CR	
101	DLI-00524-B	DARTSLIVE Credit Card Reader for DL3 JSC330V52-UL (LED Back)	
102	F580410 (DLI-00526-B)	USB 2.0 AM TO HOUSING 1.0M BLACK	
103		CORD KEEP 103G	
201	M SCR PH M2X8	PAN HEAD MACHINE SCREW M2X8	

## 12 Wire Color Correspondence Table

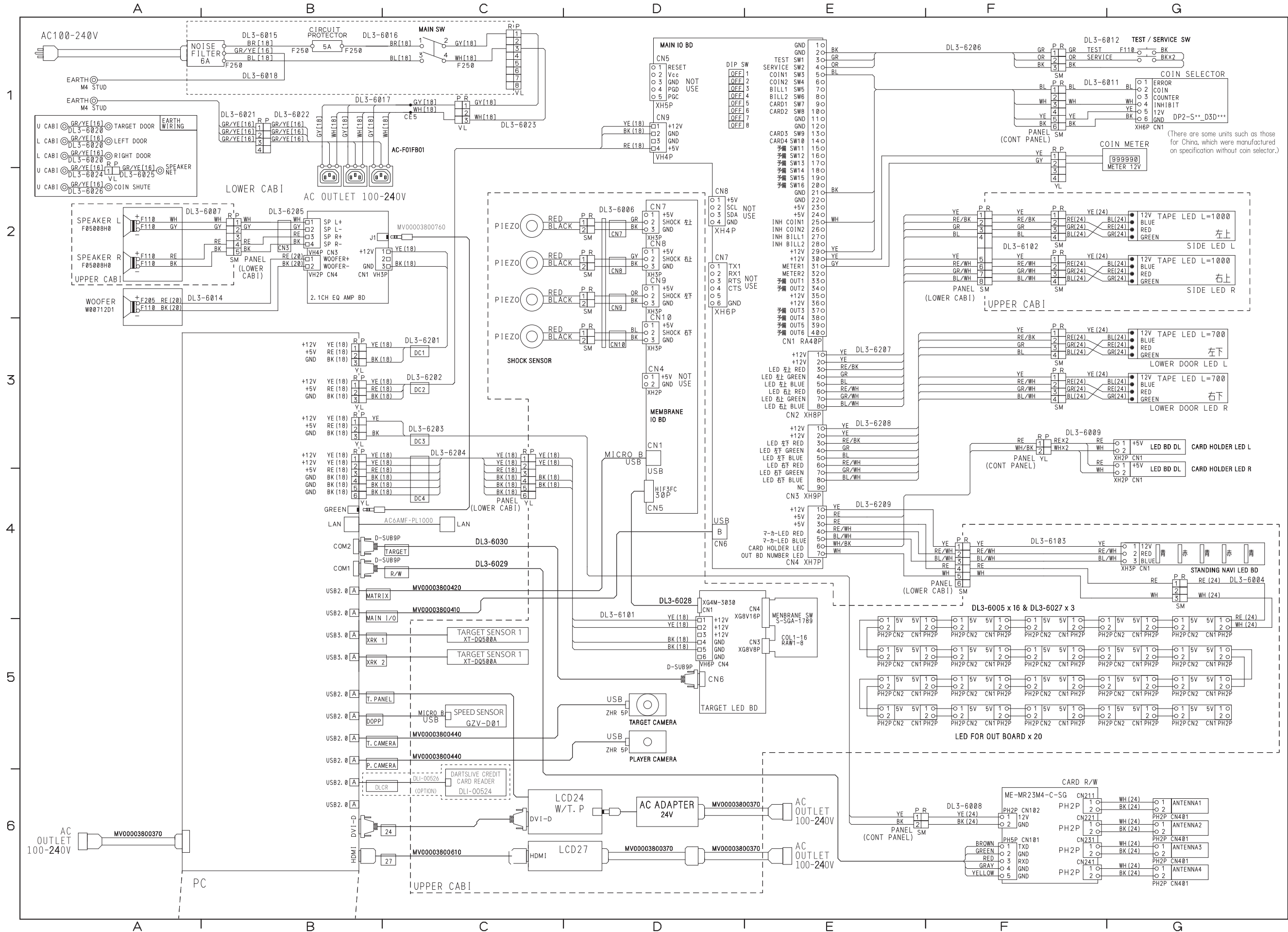
The wire colors used in the comprehensive wiring diagram in the next chapter are as follows.

CODE	WIRE COLOR
RE	RED
BL	BLUE
YE	YELLOW
GR	GREEN
WH	WHITE
OR	ORANGE
BK	BLACK
GY	GRAY
PK	PINK
SB	SKYBLUE
BR	BROWN
PU	PURPLE
LG	LIGHT GREEN

Note 1. The characters after WIRE COLOR CODE indicate the thickness of WIRE.

(16) or [16]: AWG16  
(18) or [18]: AWG18  
(20) or [20]: AWG20  
None : AWG22  
(24) or [24]: AWG24

# 13 Comprehensive Wiring Diagram



For general inquiries:

## **DARTSLIVE Support Desk**

<https://www.dartslive.com>

\* Please note that this support desk is not accepting inquiries regarding the machine and the parts.

Please contact the retailer for such inquiries.

For basic troubleshooting, go to the following "Product Support Page".



<http://www.dartslive.jp/info/support/eng/index.html>

For remarks for the radio equipment directive in each country or region, go to "Product R.E.D. Remark Page".



<https://dartslive-product-support.helpscoutdocs.com/article/100-product-r-e-d-remark-page>

## **DARTSLIVE Co.,Ltd.**

Sumitomo Fudosan Osaki Garden Tower, 1-1-1 Nishi-Shinagawa, Shinagawa-ku,  
Tokyo 141-0033, Japan

<http://www.dartslive.com/corp/jp/contact/>  
facsimile +81-50-3153-7982

The information herein contained is as of February 2022.

**3rd edition**

February 2022